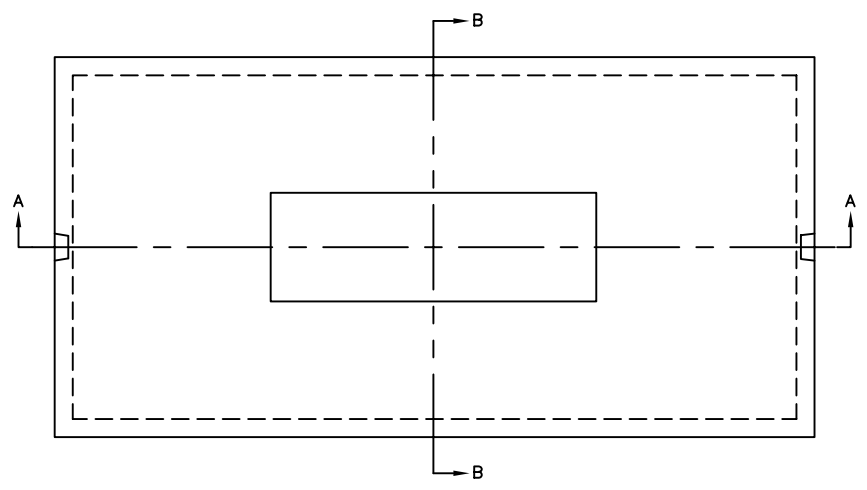




KISTNER CONCRETE PRODUCTS INC.  
 8713 READ ROAD  
 E. PEMBROKE, N.Y.  
 14056  
 (716) 894-2267

PRODUCT DESIGNATION  
 PRECAST SAND FILTER

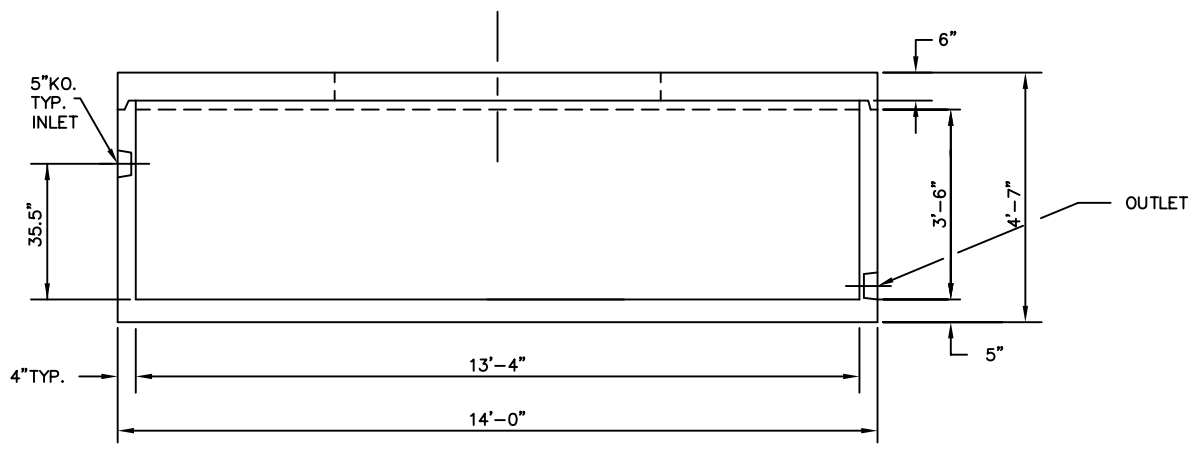
DWG. NO.  
 ST-SF ©



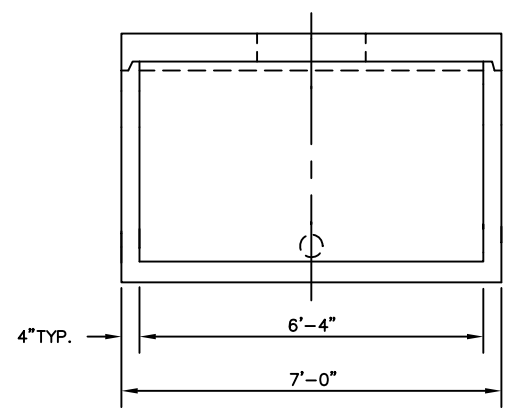
PLAN VIEW

SPECIFICATIONS:  
 CONCRETE: 4,000 P.S.I. @ 28 DAYS.  
 ENTRAINED AIR: 5% - 9%.  
 STEEL: A.S.T.M. A496-A615 GRADE 60-60 KSI.  
 DESIGN LOADING: A-0.3/300PSF/WALKWAYS. FLOATION FORCES NOT ACCOUNTED FOR.  
 WEIGHT:  
 TOP SECTION: 6,370 LBS.  
 BOTTOM SECTION: 13,078 LBS.  
 TOTAL: 19,448 LBS.

NOTE: OPENING IN COVER SLAB IS 24 X 72.



SECTION A-A



SECTION B-B