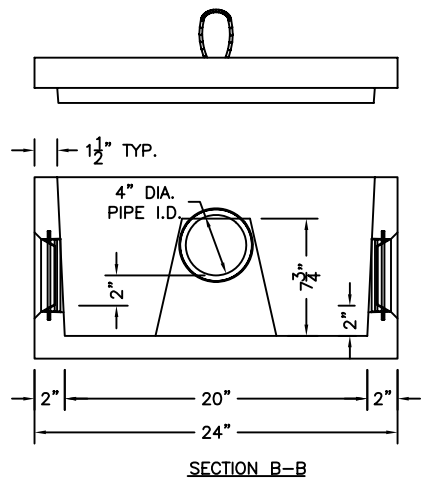
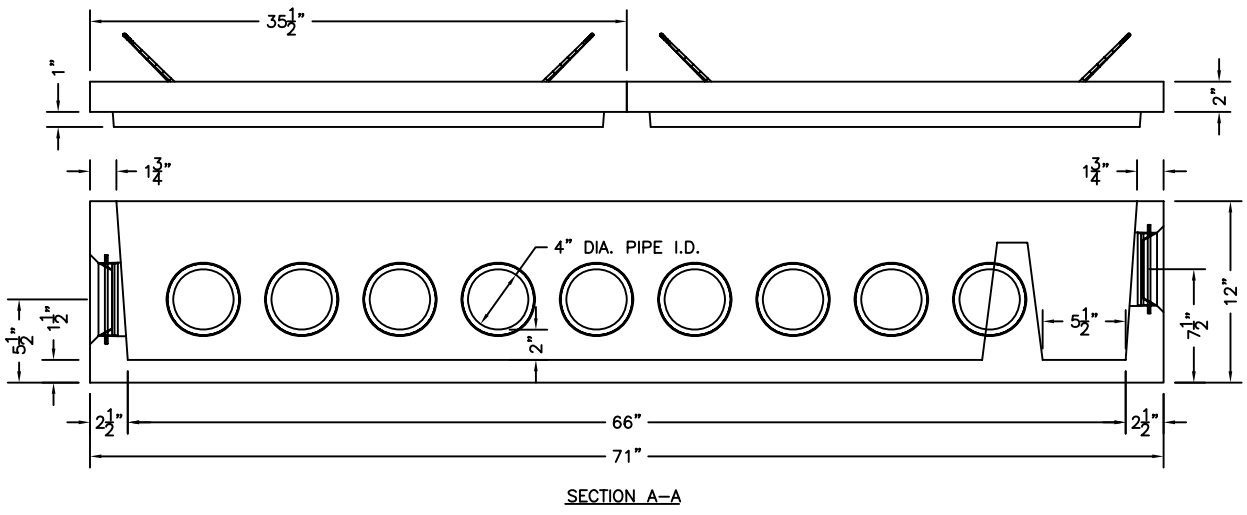
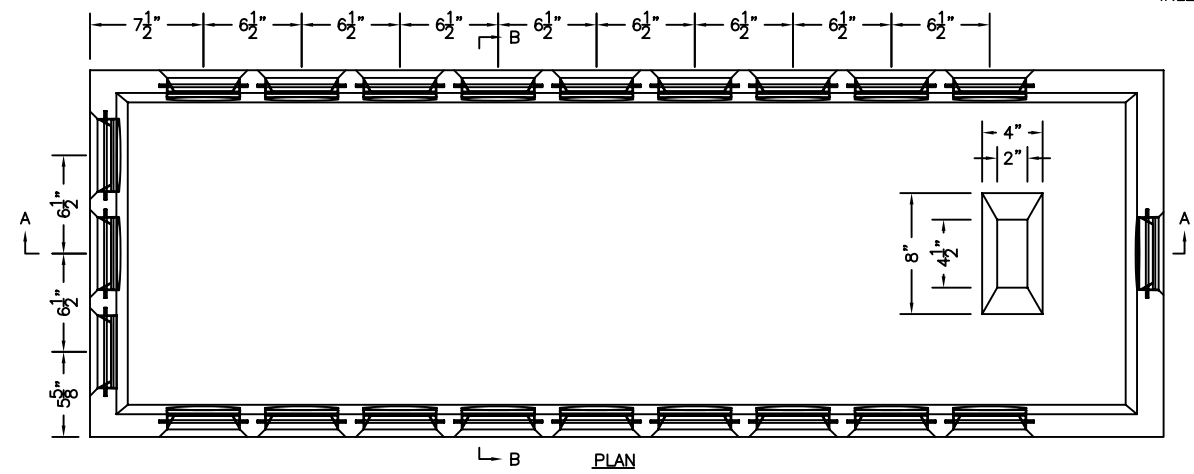




KISTNER CONCRETE PRODUCTS INC.
 8713 READ ROAD
 E. PEMBROKE, N.Y.
 14056
 (716) 884-2267

SPECIFICATIONS:
 CONCRETE: 4,000 P.S.I. @ 28 DAYS.
 ENTRAINED AIR: 5% - 9%.
 STEEL: A.S.T.M. A496-A615
 GRADE 60-60 KSI.
 DESIGN LOADING: A-0.3/300PSF/WALKWAYS.
 BASE WEIGHT: 466.4 LBS.
 TOP WEIGHT: 408.6 LBS. (204.3 PER PIECE)
 TOTAL WEIGHT: 875.LBS.

INLET/OUTLETS: LOW PRESSURE POLYETHYLENE
 WATERTIGHT PIPE TO BOX CONNECTION.



PRODUCT DESIGNATION
 21 OUTLET DISTRIBUTION BOX

DWG. NO.
 DB-DB21 ©
 3-15-02