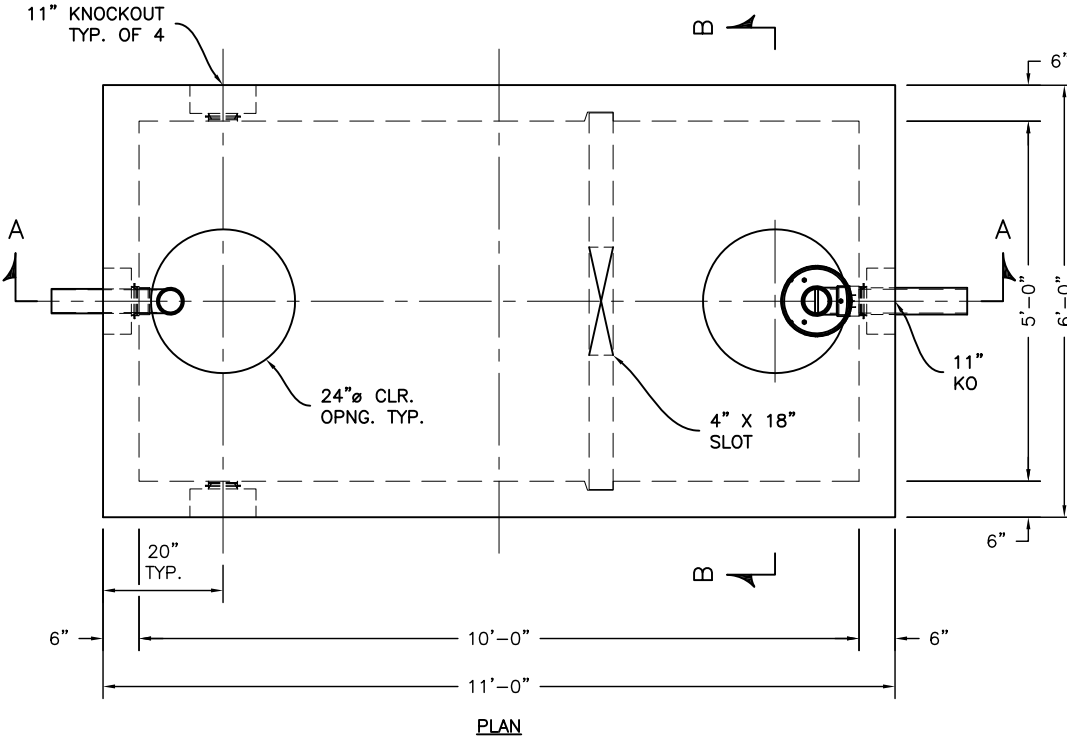
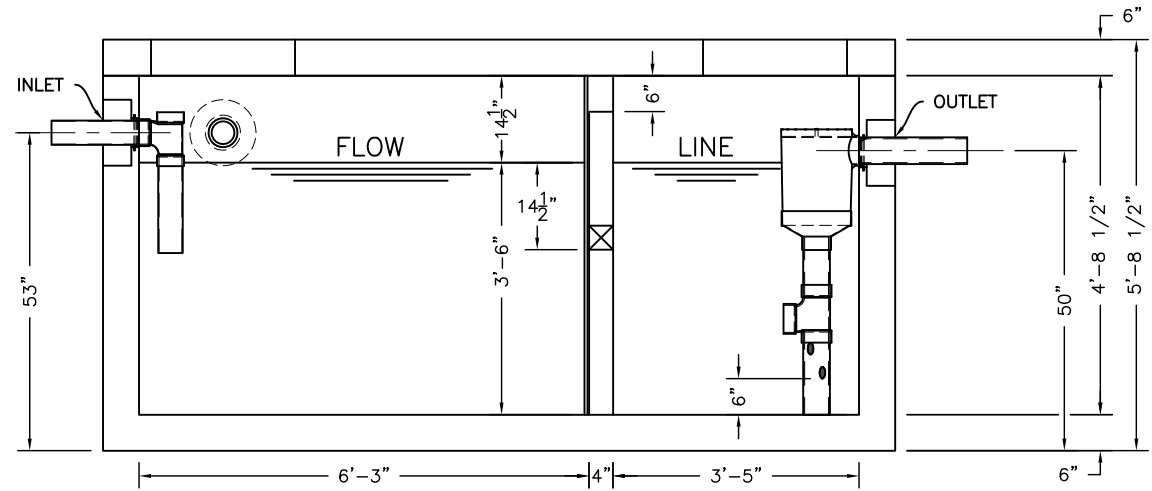


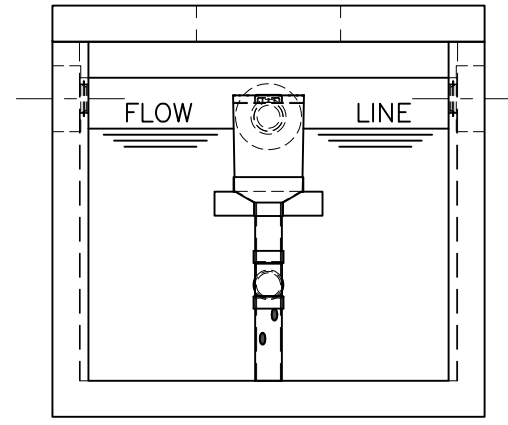
L:\CADD\PRODUCTS\024-SquareRectangular-05x10-60X120\Septic-Grease-Oil-Holding-Pump-StormPro\ST-5X10-T-N-0.dwg



PLAN



SECTION A-A



SECTION B-B

SP-7A
SPECIFICATIONS:
 CONCRETE: 6,500 P.S.I. @ 28 DAYS.
 ENTRAINED AIR: 5% - 8%.
 STEEL: A.S.T.M. A496-A615
 GRADE 60-80 KSI.
 ACI 318-99 TRAFFIC. USE ACI LOAD FACTORS.
 A.A.S.H.T.O. METHOD OF DESIGN. EQUIVALENT
 SOIL PRESSURE OF 40 (PCF).
DESIGN LOADING:
 LIVE LOAD: H2O.
 EARTH FILL: 0 TO 6'.
 WATER TABLE: 3' BELOW GRADE.
PIPING:
 TEES, DROP LEGS & FITTINGS SUPPLIED & INSTALLED
 BY CONTR. CONTR. TO DRILL MIN. 6-2" HOLES BELOW
 TEE FITTING, STARTING 6" OFF FLOOR.
**FRAME & COVER
 & RISERS:** SEE DWG. #ST-HDTRSRS - "TRAFFIC TANK RISERS".
WEIGHT:
 TOP SLAB: 4,423 LBS.
 BOTTOM SECTION & BAFFLE WALL: 16,889 LBS.
 TOTAL: 21,312 LBS.
 WATERTIGHT ASSEMBLY IS THE RESPONSIBILITY OF THE INSTALLING CON-
 TRACTOR. ASK FOR KISTNER "WATERTIGHT JOINT INSTALLATION" DETAIL.
PIPE OPENINGS STOCK:
 PIPE SEALS REQUIRED
 4" PVC - OPENING WITH SEAL - STOCK
 6" PVC - OPENING STOCK - SEAL TO BE INSTALLED
 8" PVC - OPENING STOCK - SEAL TO BE INSTALLED
 GROUTED OPENINGS ONLY - REQUIRED
 4" PVC - OPENING WITH SEAL - STOCK
 6" PVC - STOCK KNOCKOUT TO BE BROKEN OUT BY CONTRACTOR
 8" PVC - STOCK KNOCKOUT TO BE BROKEN OUT BY CONTRACTOR
 FOR RISER, FRAME, AND COVER: SEE "TRAFFIC TANK EXTENSIONS"



**KISTNER CONCRETE
 PRODUCTS INC.**
 8713 READ ROAD
 E. PEMBROKE, N.Y.
 14056
 (716) 894-2267

PRODUCT DESIGNATION
**1250 GALLON "K-SEP" GREASE
 INTERCEPTOR TRAFFIC - NEW**

DWG. NO.
GI-1250-T-N-0
 12/13/16