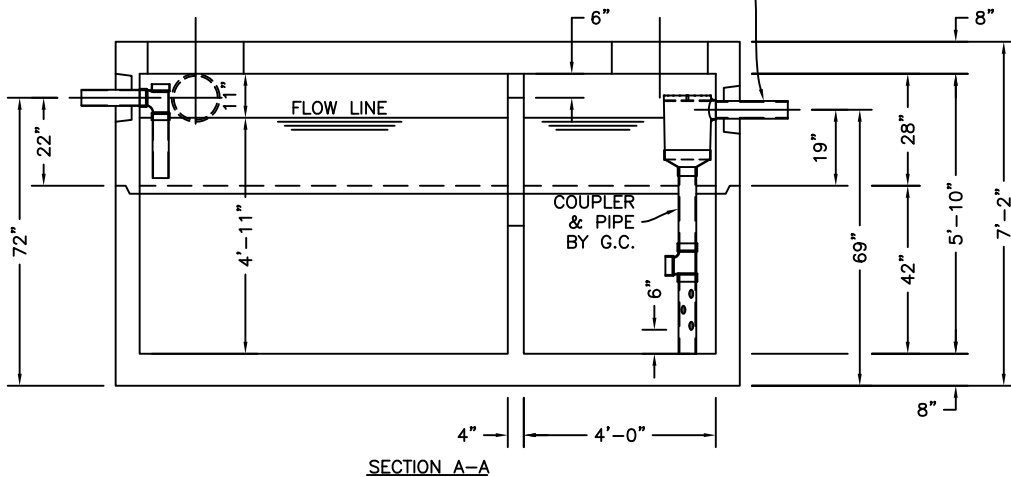


OPTIONAL
A300 TERTIARY EFFLUENT
POLISHING FILTER W/EXTENSION
(REMOVABLE CARTRIDGE FOR SERVICING)



SP-7A

SPECIFICATIONS:

CONCRETE: 5,000 P.S.I. @ 28 DAYS.
 ENTRAINED AIR: 5% - 8%.
 STEEL: A.S.T.M. A496-A615
 GRADE 60-80 KSI.

DESIGN LOADING: ACI 318-99 TRAFFIC. USE ACI LOAD FACTORS.
 A.A.S.H.T.O. METHOD OF DESIGN. EQUIVALENT
 SOIL PRESSURE OF 40 (PCF).

LIVE LOAD: H20.
 EARTH FILL: 0 TO 6'.
 WATER TABLE: 3' BELOW GRADE.

PIPING: TEES, DROP LEGS & FITTINGS SUPPLIED & INSTALLED
 BY CONTR. CONTR. TO DRILL MIN. 6-2" HOLES BELOW
 TEE FITTING STARTING 6" OFF FLOOR.

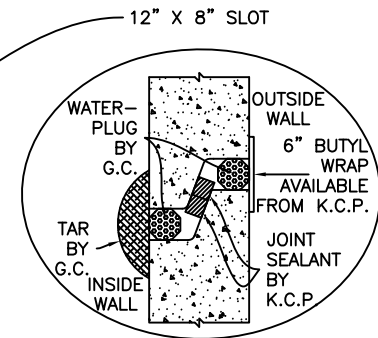
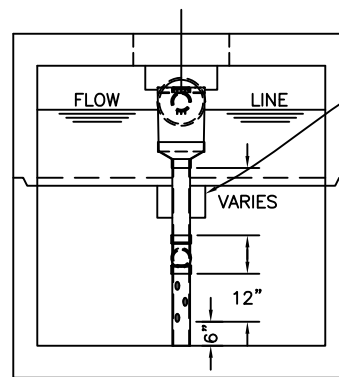
FRAME & COVER & RISERS: SEE DWG. #ST-HDTRSRS - "TRAFFIC TANK RISERS".

WEIGHT:
 TOP SECTION: 16,712 LBS.
 BOTTOM SECTION: 22,000 LBS.
 TOTAL: 38,712 LBS.

WATERTIGHT ASSEMBLY IS THE RESPONSIBILITY OF THE INSTALLING CON-
 TRACTOR. ASK FOR KISTNER "WATERTIGHT JOINT INSTALLATION" DETAIL.

PIPE OPENINGS STOCK:

- PIPE SEALS REQUIRED
- 4" PVC - OPENING WITH SEAL - STOCK
- 6" PVC - OPENING STOCK - SEAL TO BE INSTALLED
- 8" PVC - OPENING STOCK - SEAL TO BE INSTALLED
- GROUTED OPENINGS ONLY - REQUIRED
- 4" PVC - OPENING WITH SEAL - STOCK
- 6" PVC - STOCK KNOCKOUT TO BE BROKEN OUT BY CONTRACTOR
- 8" PVC - STOCK KNOCKOUT TO BE BROKEN OUT BY CONTRACTOR



WATERTIGHT JOINT DETAIL
 SCALE: N/A



KISTNER CONCRETE PRODUCTS, INC.
 8713 READ ROAD
 E. PEMBROKE, N.Y.
 14056
 (716) 894-2267

PRODUCT DESIGNATION
 2500 GALLON "K-SEP"
 GREASE INTERCEPTOR - TRAFFIC

DWG. NO.
 GI-KSEP-GI2500T ©
 10/17/12