



REVISIONS

KISTNER CONCRETE PRODUCTS INC.
8713 READ ROAD
E. PEMBROKE, N.Y.
14036
(716) 894-2267

PROJECT: DROP BOX TYPE 2
OWNER:
ENGINEER:
CONTRACTOR:
MANUFACTURER: KISTNER CONCRETE PRODUCTS, INC.
PRODUCT DESIGNATION: DROP BOX
REV.: DMG

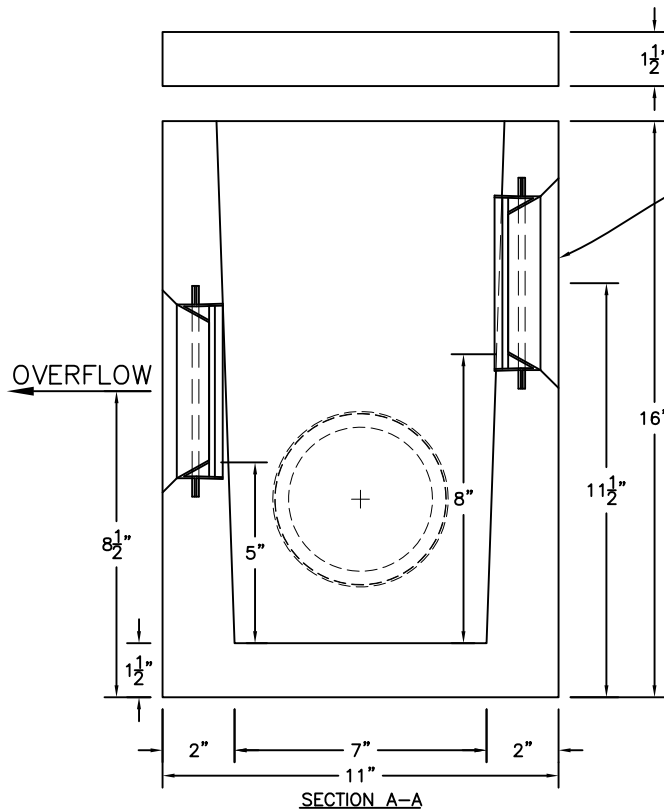
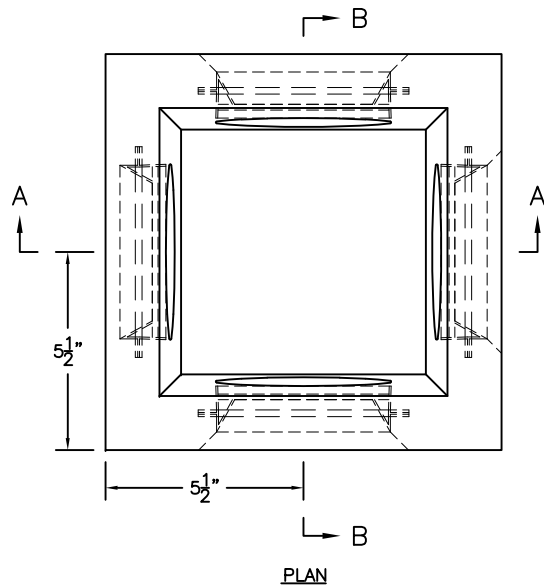
LOCATION:
SCALE: 3/16" = 1"
DRAWN BY: DMG
DATE: 9/15/05
DWG. NO.:
DB-DB-12
CHECK BY:

SPECIFICATIONS:
CONCRETE: 4,000 P.S.I. @ 28 DAYS.
ENTRAINED AIR: 5% - 9%.
STEEL: A.S.T.M. A496-A615
GRADE 60-60 KSI.
DESIGN LOADING: A-0.3/300PSF/WALKWAYS.

BASE WEIGHT: 95.95 LBS.
TOP WEIGHT: 15.56 LBS.
TOTAL WEIGHT: 111.51 LBS.

INLET/OUTLETS: LOW PRESSURE POLYETHYLENE WATERTIGHT PIPE TO BOX CONNECTION.

OVERFLOW: OVAL KNOCKOUT TO ACCOMMODATE VARYING CONDITIONS.



INLET
4" Ø
PIPE I.D.

