



KISTNER CONCRETE PRODUCTS INC.
 8713 READ ROAD
 E. PEMBROKE, N.Y.
 14056
 (716) 894-2267

PRODUCT DESIGNATION

8 OUTLET DISTRIBUTION BOX

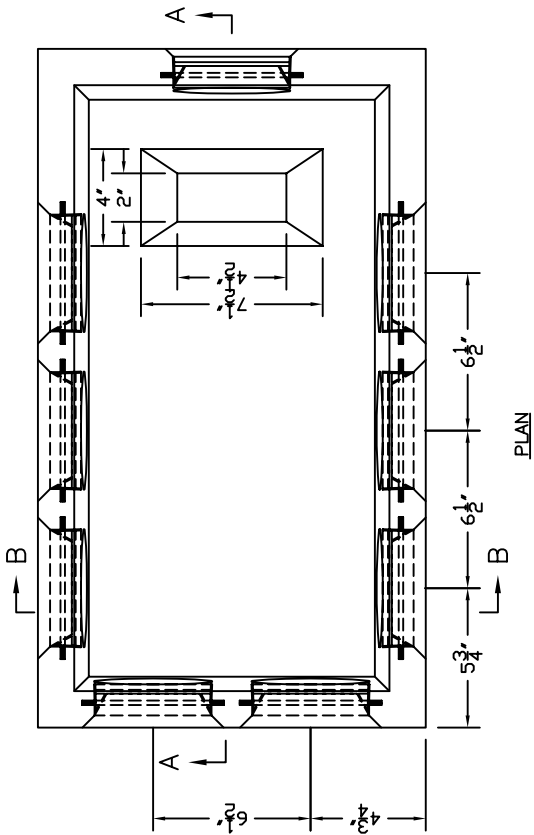
DWG. NO.

DB-DB8 ©

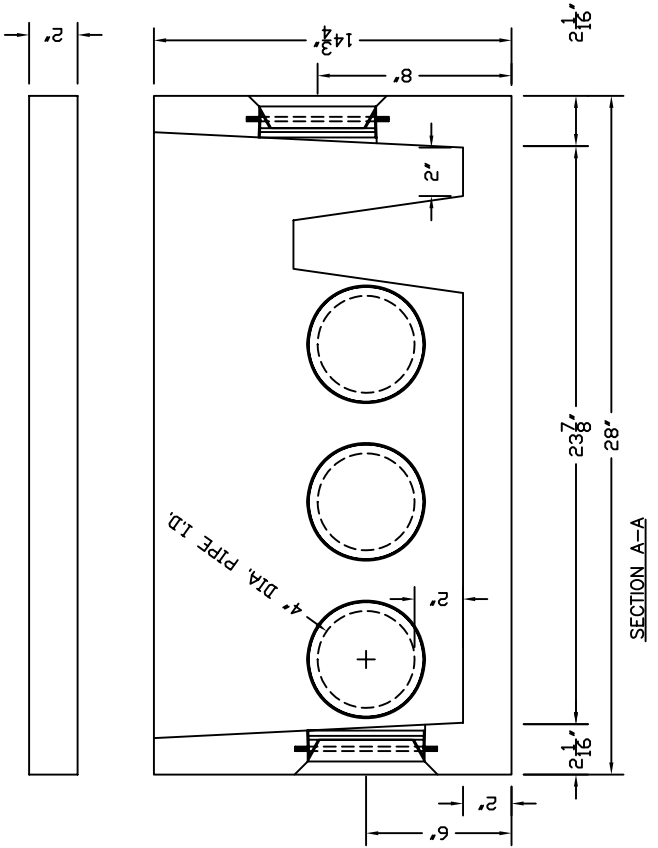
11-22-93

SPECIFICATIONS:
 CONCRETE: 4,000 P.S.I. @ 28 DAYS.
 ENTRAINED AIR: 5% - 9%.
 STEEL: A.S.T.M. A496-A615
 GRADE 60-60 KSI.
 DESIGN LOADING: A-0.3/300PSF/WALKWAYS.
 BASE WEIGHT: 178.1 LBS.
 TOP WEIGHT: 54.9 LBS.
 TOTAL WEIGHT: 233.0 LBS.

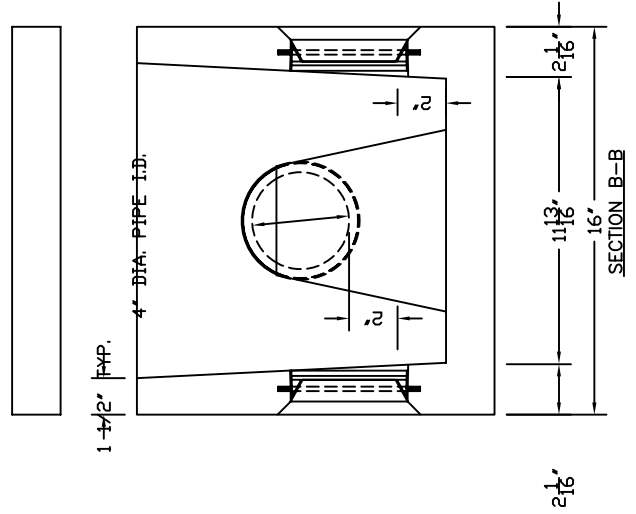
INLET/OUTLETS: LOW PRESSURE POLYETHYLENE.
 WATERTIGHT PIPE TO BOX CONNECTION.



PLAN



SECTION A-A



SECTION B-B