



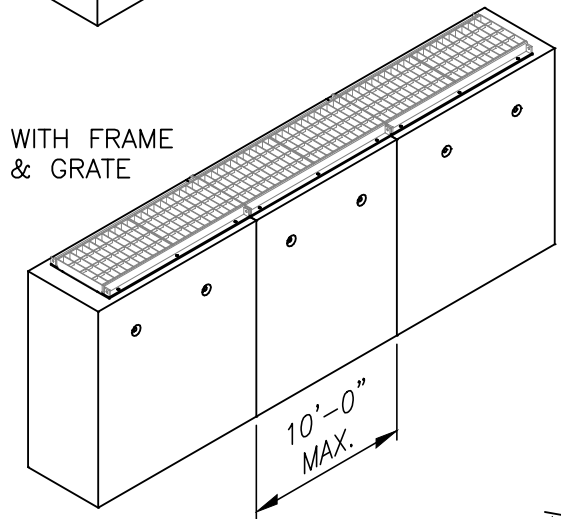
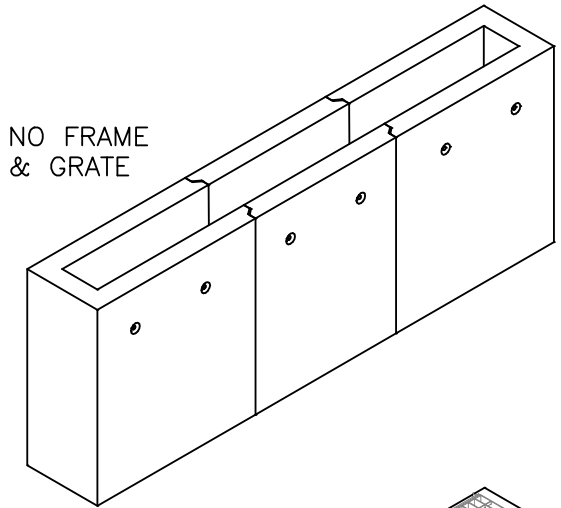
KISTNER CONCRETE PRODUCTS INC.
8713 READ ROAD
E. PEMBROKE, N.Y. 14056
(716) 894-2267

PRODUCT DESIGNATION

DWG. NO.

12" TRENCH DRAIN DETAIL SHEET

12-TRENCH DR-PRE[®]
5/17/19



ISOMETRIC VIEWS

SPECIFICATIONS:

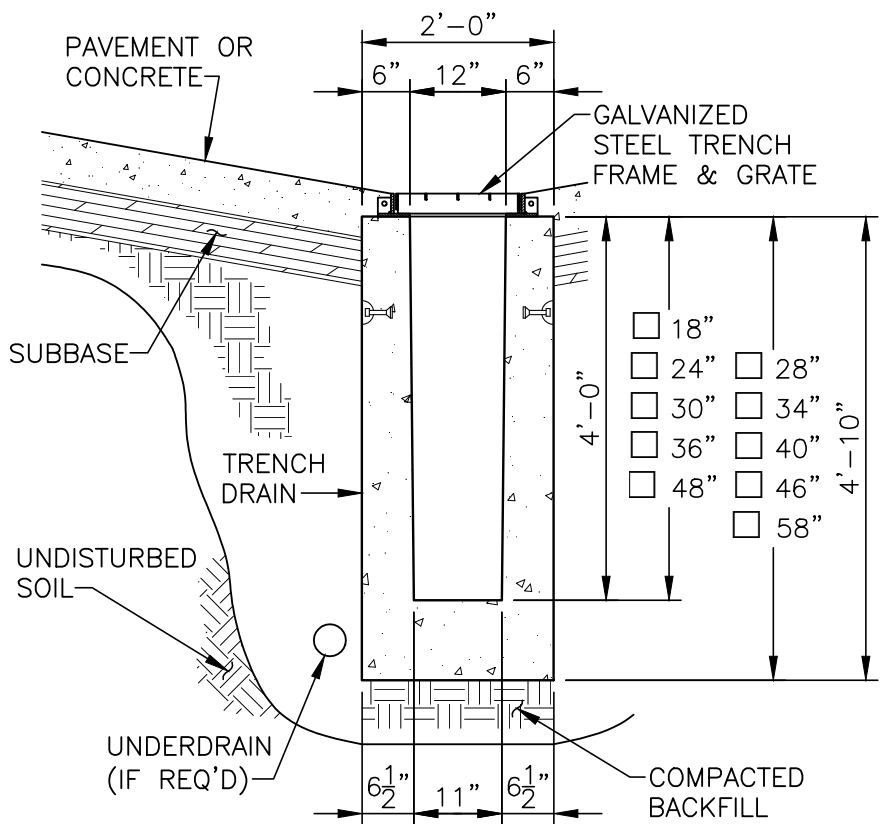
CONCRETE: 4,000 PSI @ 28 DAYS
ENTRAINED AIR: 5% - 9%
STEEL: ASTM A495-A615
GRADE 60-60KSI

GALV. STEEL FRAME & GRATE NOTES

MATERIAL SHALL BE HOT ROLLED STEEL;
- 3/16" x 2-1/2" BEARING BARS
2-3/16" c.c.
- 3/16" x 3/4" CROSS BARS 4" c.c.

COMPLETE UNIT SHALL BE HOT DIP GALVANIZED PER ASTM 123 AFTER FABRICATION.

UNIT DESIGNED FOR AASHTO HS-20 WHEEL LOADS (16,000 LB WHEEL PLUS 30% IMPACT) USING A 10" x 20" CONTACT AREA. THE DESIGN STRESS SHALL NOT EXCEED 55% OF THE MINIMUM YIELD. (SPAN ESTIMATED AT 12").



TYP. INSTALLATION