



KISTNER CONCRETE PRODUCTS INC.
8713 READ ROAD
E. PEMBROKE, N.Y. 14056
(716) 894-2267

PRODUCT DESIGNATION

10 OUTLET DISTRIBUTION BOX

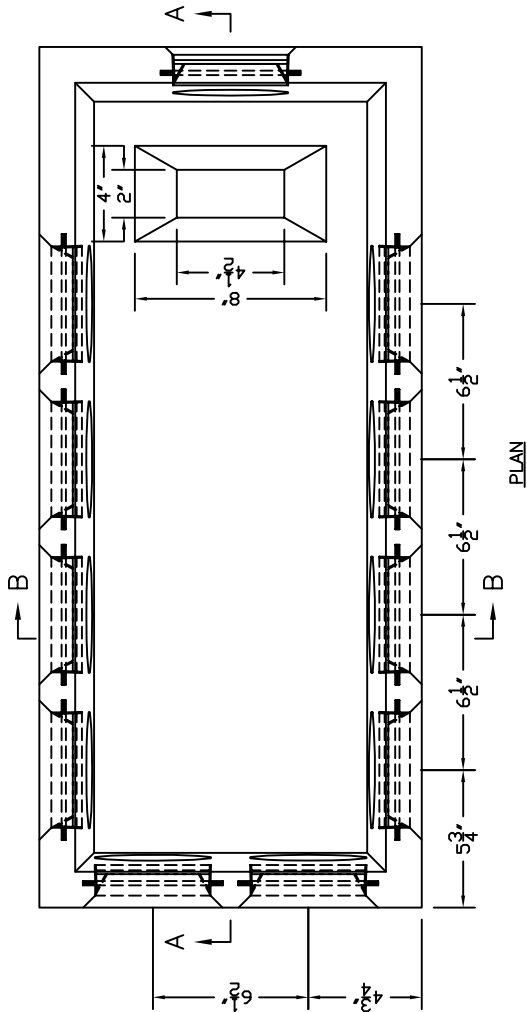
DWG. NO.

DB-DB10[©]

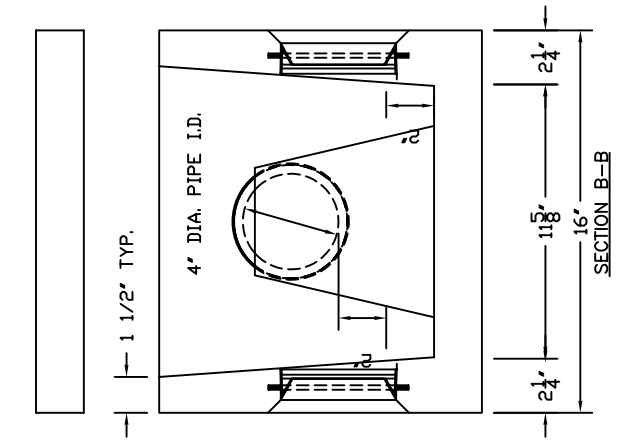
11-22-93

SPECIFICATIONS:
CONCRETE: 4,000 P.S.I. @ 28 DAYS.
ENTRAINED AIR: 5% - 9%.
STEEL: A.S.T.M. A496-A615 GRADE 60-60 KSI.
DESIGN LOADING: A-0.3/300PSF/WALKWAYS.
BASE WEIGHT: 292.5 LBS.
TOP WEIGHT: 98.8 LBS.
TOTAL WEIGHT: 391.3 LBS.

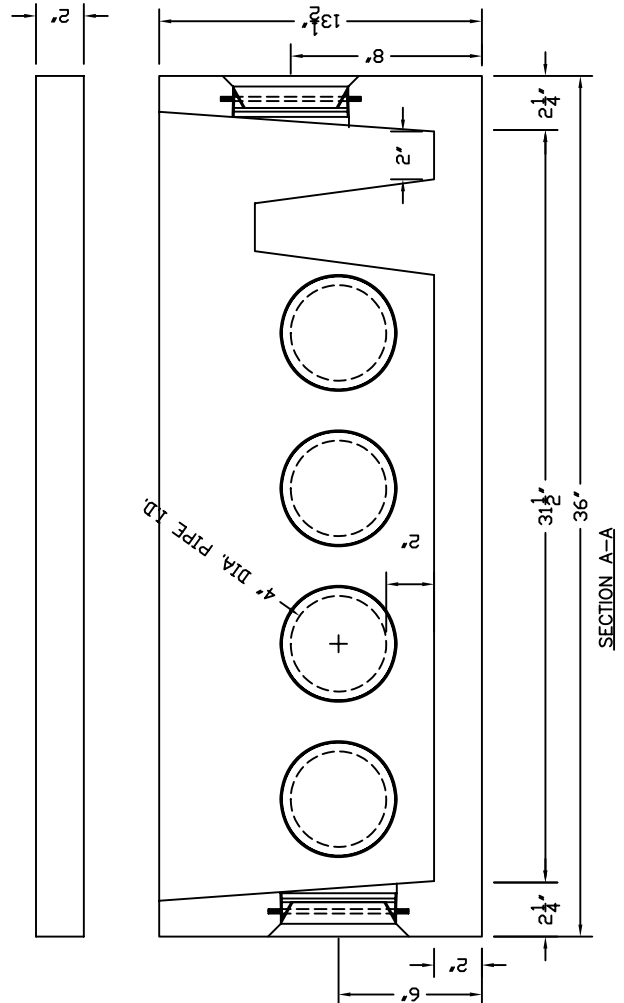
INLET/OUTLETS: LOW PRESSURE POLYETHYLENE WATERTIGHT PIPE TO BOX CONNECTION.



PLAN



SECTION B-B



SECTION A-A