



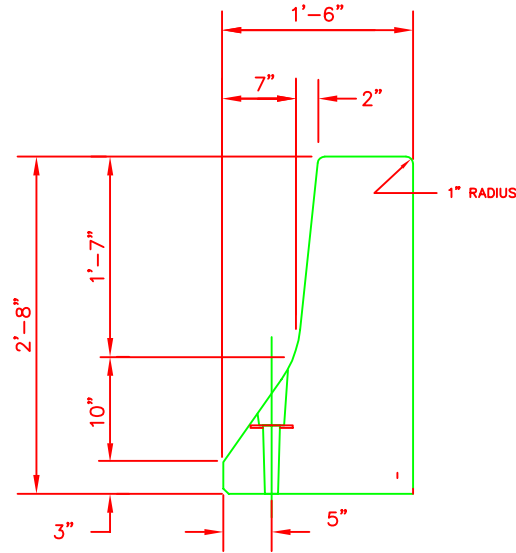
KISTNER CONCRETE PRODUCTS INC.
 8713 READ ROAD
 E. PEMBROKE, N.Y.
 14056
 (716) 894-2267

PRODUCT DESIGNATION

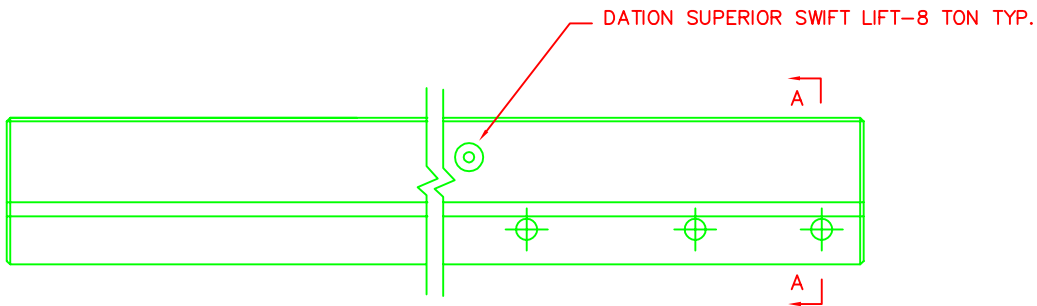
DWG. NO.

PRECAST CONCRETE
 PARAPET BARRIER

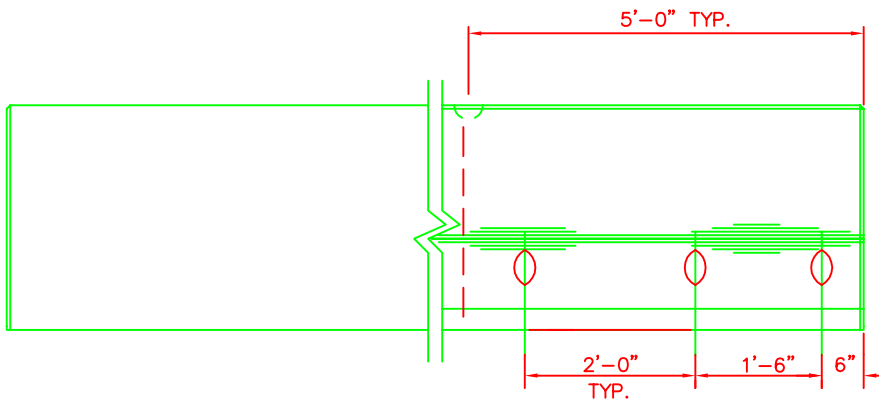
MB-4



SECTION A-A



TOP VIEW



PLAN

GENERAL NOTES:

BARRIER SHALL BE MANUFACTURED IN ACCORDANCE WITH N.Y.S.D.O.T. ITEM NO. 606.30.

CONCRETE: CLASS J.

STEEL: A.S.T.M. A615, GRADE 60, EPOXY COATED.

TAPERED BOLT POCKETS W/BOLT HOLES.

PARAPET UNITS MANUFACTURED IN 20'-0" STANDARD LENGTHS, MIN. 4'-0"

WEIGHT: 8,410 LBS