

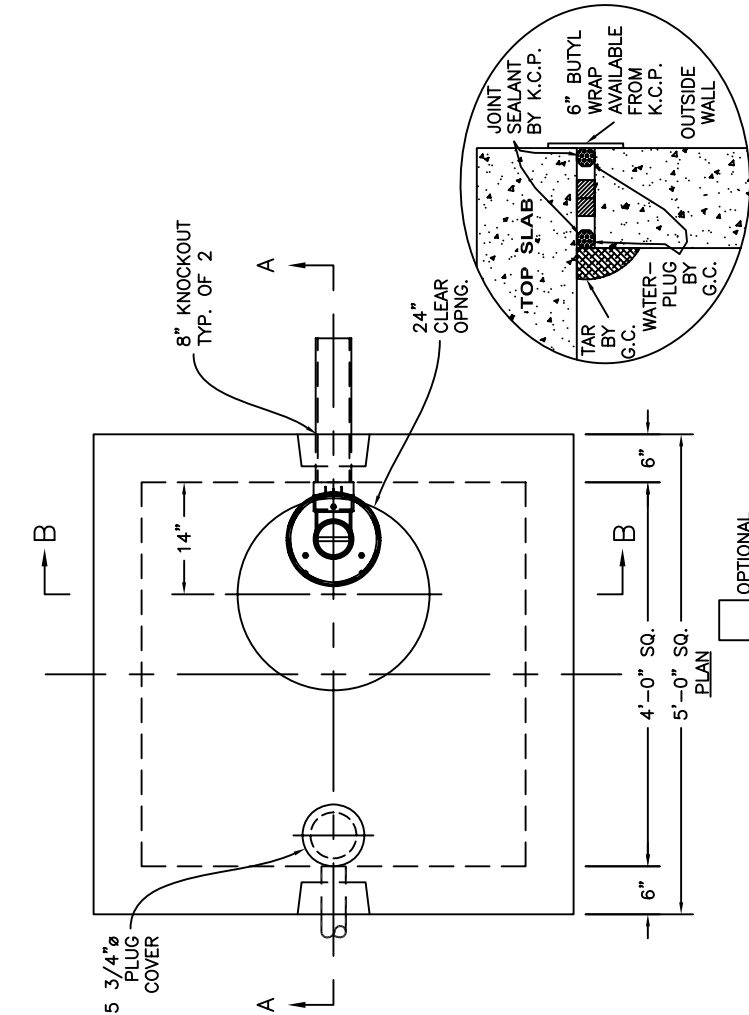


KISTNER CONCRETE PRODUCTS INC.
8713 READ ROAD
E. PEMBROKE, N.Y.
14056
(716) 894-2267

PRODUCT DESIGNATION
500 GALLON "K-SEP"
GREASE INTERCEPTOR/TRAFFIC

DWG. NO.
GI-KSEP-GI500T©
1-19-07

SP-7A
SPECIFICATIONS:
CONCRETE: 5,000 P.S.I. @ 28 DAYS.
ENRAINED AIR: 5% - 8%.
STEEL: A.S.T.M. A496-A615
GRADE 60-80 KSI.
DESIGN LOADING: ACI 318-99 TRAFFIC. USE ACI LOAD FACTORS.
A.A.S.H.T.O. METHOD OF DESIGN. EQUIVALENT SOIL PRESSURE OF 40 (PCF).
LIVE LOAD: H20.
EARTH FILL: 0 TO 6'.
WATER TABLE: 3' BELOW GRADE.
PIPING: TEES, DROP LEGS & FITTINGS SUPPLIED & INSTALLED BY CONTR. CONTR. TO DRILL MIN. 6-2" HOLES BELOW TEE FITTING STARTING 6" OFF FLOOR.
FRAME & COVER & RISERS: SEE DWG. #ST-HDTRRSR - "TRAFFIC TANK RISERS".
WEIGHT: TOP SECTION: 1,852 LBS.
BOTTOM SECTION: 8,518 LBS.
TOTAL: 10,370 LBS.
WATERTIGHT ASSEMBLY IS THE RESPONSIBILITY OF THE INSTALLING CONTRACTOR. ASK FOR KISTNER "WATERTIGHT JOINT INSTALLATION" DETAIL.
PIPE OPENINGS STOCK:
 GROUTED OPENINGS ONLY - REQUIRED
 4" PVC - STOCK KNOCKOUT TO BE BROKEN OUT BY CONTRACTOR
 6" PVC - STOCK KNOCKOUT TO BE BROKEN OUT BY CONTRACTOR



WATERTIGHT JOINT DETAIL
SCALE: N/A

