



KISTNER CONCRETE PRODUCTS INC.
8713 READ ROAD
E. PEMBROKE, N.Y.
14056
(716) 894-2267

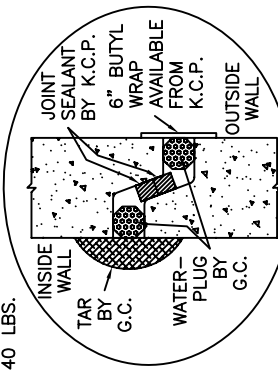
PRODUCT DESIGNATION

2000 GALLON "K-SEP" GREASE INTERCEPTOR - LOW PROFILE

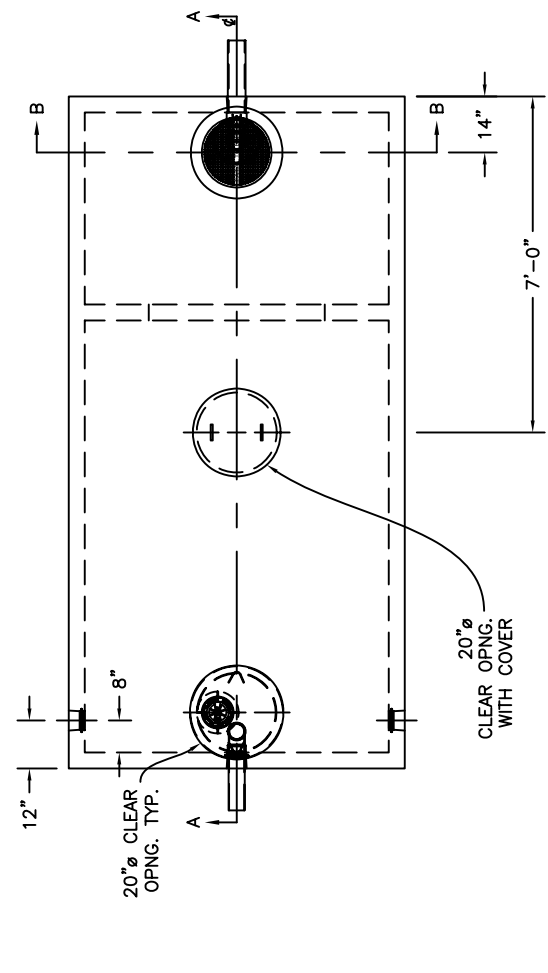
DWG. NO.

GI-KSEP-GI2000-LP[©]
1-18-07

SPECIFICATIONS:
CONCRETE: 4,000 P.S.I. @ 28 DAYS.
ENRAINED AIR: 5% - 9%.
STEEL: A.S.T.M. A496-A615 GRADE 60-60 KSI.
DESIGN LOADING: A-0.3/300PSF/WALKWAYS. FLOTATION FORCES NOT ACCOUNTED FOR.
PIPING: OUTLET TEES, DROP LEGS & FITTINGS SUPPLIED & INSTALLED BY CONTR. CONTR. TO DRILL MIN. 6"-2" HOLES BELOW TEE FITTING STARTING 6" OFF FLOOR.
FRAME & COVER: SEE DWG. #ST-NTTKRSR - "NON-TRAFFIC TANK RISERS".
COVER OVER TANK: MAX. 3' OF EARTH FILL.
WEIGHT: TOP SECTION: 16,940 LBS.
BOTTOM SECTION: 9,900 LBS.
TOTAL: 26,840 LBS.



WATERTIGHT JOINT DETAIL
SCALE: N/A



TOP VIEW

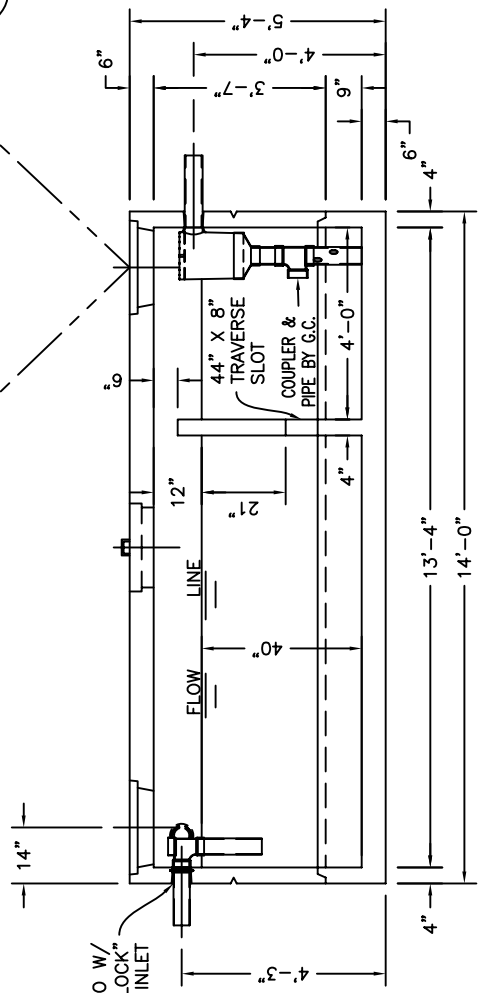
STANDARD 20" COVER WITH 6" PVC COUPLER CAST IN WITH 6" SEWER VENT COVER ARE INCLUDED IF 18" DIA. FRAME & COVER ARE NOT USED

6" CAST IRON SEWER VENT COVER

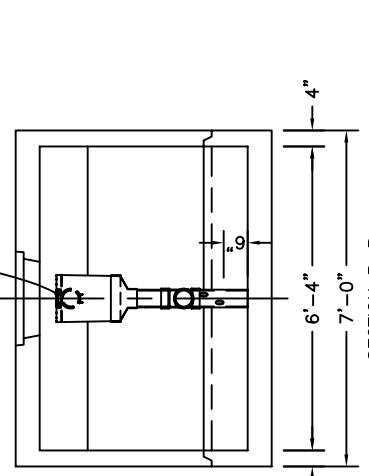
STANDARD 6" S & D PIPE AVAILABLE IN 10' LENGTHS ONLY

STANDARD 20" COVER WITH CAST-IN 6" S & D COUPLER

OPTIONAL - (REQ'D IF EFFLUENT FILTER IS USED)
18" DIA. CAST IRON FRAME & COVER LOCKING & GASKETED LEGEND - "FATAL TO ENTER"



SECTION A-A



SECTION B-B