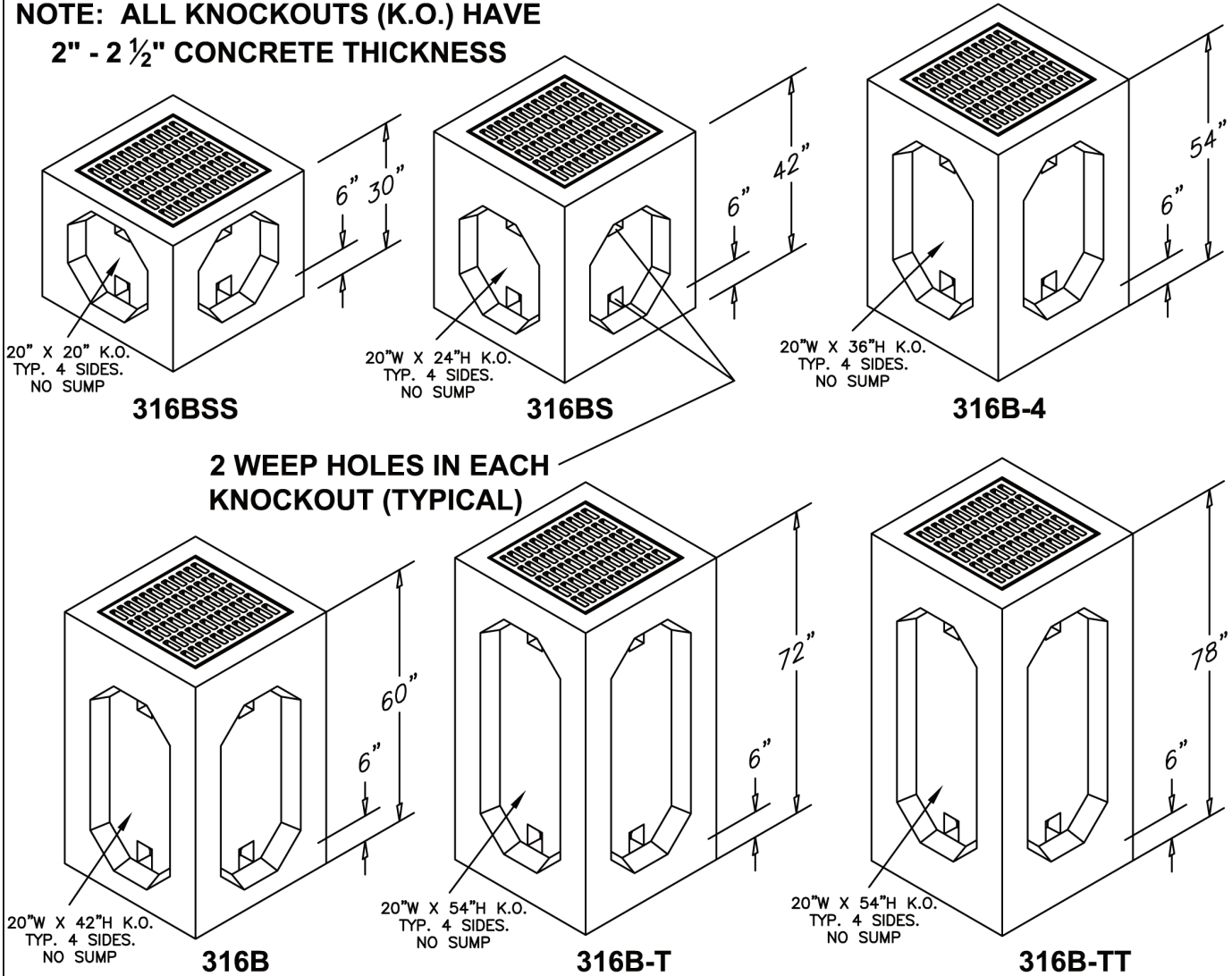




24" SQ. I.D. CATCH BASINS

**NOTE: ALL KNOCKOUTS (K.O.) HAVE
2" - 2 1/2" CONCRETE THICKNESS**



24" SQ. I.D. 6" WALL & FLOOR, H-20 TRAFFIC				
CODE	DESCRIPTION	WEIGHT	OUTSIDE LENGTH & WIDTH	OVERALL HEIGHT
CB316BSS	"CAST IN FRAME" & GRATE	1918 LBS.	36" x 36"	30"
CB316BS	"CAST IN FRAME" & GRATE	2432 LBS.	36" x 36"	42"
CB316B-4	"CAST IN FRAME" & GRATE	2844 LBS.	36" x 36"	54"
CB316B	"CAST IN FRAME" & GRATE	3051 LBS.	36" x 36"	60"
CB316B-T	"CAST IN FRAME" & GRATE	3463 LBS.	36" x 36"	72"
CB316B-TT	"CAST IN FRAME" & GRATE	3833 LBS.	36" x 36"	78"
CB316-R6CAP	CAP WITH CAST IN FRAME, NO GRATE	370 LBS.	36" x 36"	6"
CB24SQG	GRATE ONLY	150 LBS.		N/A
CB24RF	RAISED FRAME (2" HEIGHT)-Economy	25 LBS.	32" x 32"	2"
CB24RF-CI	RAISED FRAME (4" HEIGHT)-Premium	200 LBS.	32" x 32"	4"
CB315B-R06	RISER 6" HEIGHT, WITH KEY WAY	370 LBS.	36" x 36"	6"
CB315B-R12	RISER 12" HEIGHT, WITH KEY WAY	740 LBS.	36" x 36"	12"
CB315B-R18	RISER 18" HEIGHT, WITH KEY WAY	1111 LBS.	36" x 36"	18"
CB315B-R24	RISER 24" HEIGHT, WITH KEY WAY	1480 LBS.	36" x 36"	24"
CB315B-R36	RISER 36" HEIGHT, WITH KEY WAY	2222 LBS.	36" x 36"	36"
CB315B-R48	RISER 48" HEIGHT, WITH KEY WAY	2963 LBS.	36" x 36"	48"
CB315BSS	WITH KEY WAY	1718 LBS.	36" x 36"	30"
CB315BS	WITH KEY WAY	2232 LBS.	36" x 36"	42"
CB315B-4	WITH KEY WAY	2644 LBS.	36" x 36"	54"
CB315B	WITH KEY WAY	2851 LBS.	36" x 36"	60"
CB315B-T	WITH KEY WAY	3263 LBS.	36" x 36"	72"
CB315B-TT	WITH KEY WAY	3633 LBS.	36" x 36"	78"