



DISTRIBUTION BOXES

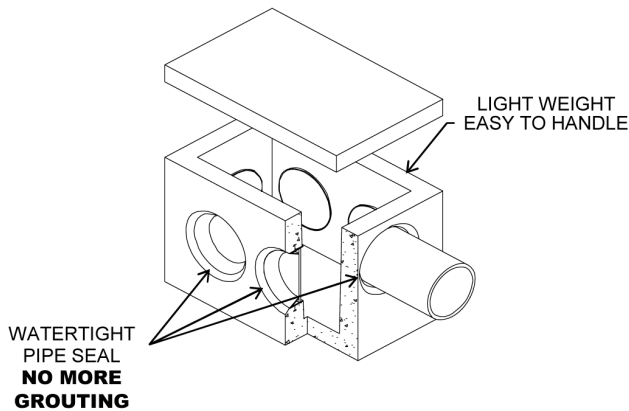
The liquid in the septic tank (the effluent) flows by gravity to a distribution box. The distribution box evenly distributes the effluent from the septic tank to the drainfield. If the distribution box is not level more effluent will flow to one area of the drainfield than the others. This will cause an overload on that section and may cause it to fail. Again, concrete distribution boxes are preferable to plastic ones, for the following reasons:

- Sturdier construction
- Can be located with a probe rod from above ground, without digging
- Can be opened for inspection
- Maintains level better

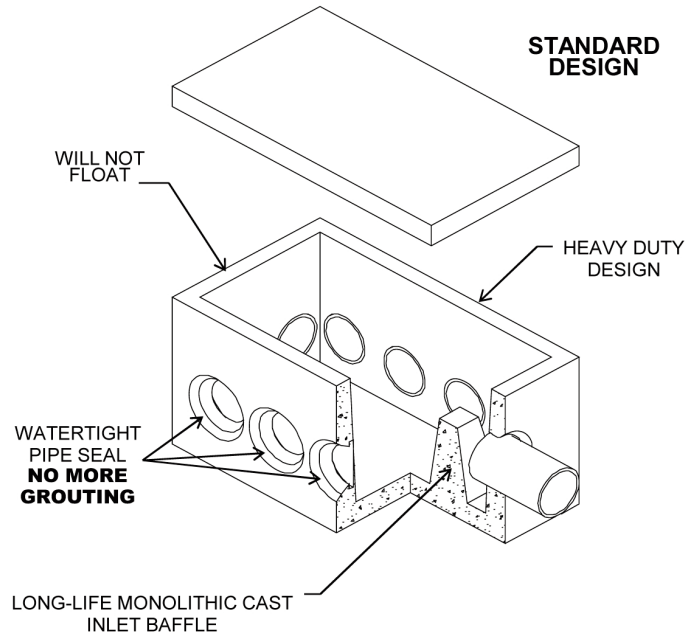
It is our opinion that using a plastic box provides no benefit to the customer and that there is no application in which a plastic box out performs a concrete box.

ECONOMY DESIGN

* CHECK WITH LOCAL HEALTH DEPT. FOR APPROVAL OF ECONOMY BOX



STANDARD DESIGN



OUTLET	CODE	WEIGHT		WIDTH	HEIGHT	CENTER	CENTER
		W/O COVER	LENGTH		W/COVER	OF INLET	OF OUTLET
* 5 OUTLET ECONOMY	(DB-5EC)	46 LB.	16"	10"	12 1/2"	7 1/2"	5 1/2"
6 OUTLET BOX	(DB-6)	146 LB.	20"	16"	15 1/2"	8"	6"
* 7 OUTLET ECONOMY	(DB-7EC)	81 LB.	22 1/2"	10"	12 1/2"	7 1/2"	5 1/2"
8 OUTLET BOX	(DB-8)	205 LB.	28"	16"	17"	8"	6"
10 OUTLET BOX	(DB10)	296 LB.	36 1/2"	16"	15 1/2"	8"	6"
12 OUTLET BOX	(DB12)	286 LB.	42"	16"	14"	8"	6"
14 OUTLET BOX	(DB14)	333 LB.	51"	16"	16"	8"	6"
COATINGS (INTERIOR), ANY SIZE							
COATINGS (EXTERIOR), ANY SIZE							
DESCRIPTION	CODE	WEIGHT	DIMENSIONS				
DROP, 5,7 COVER	(DB-C)	15,20,35	PER ABOVE				
6,8,10 COVER	(DB-C)	50,70,95	PER ABOVE				
12 OR 14 COVER	(DB-C)	130,195	PER ABOVE				