



KISTNER CONCRETE PRODUCTS INC.  
8713 READ ROAD  
E. PEMBROKE, N.Y.

(716) 894-2267

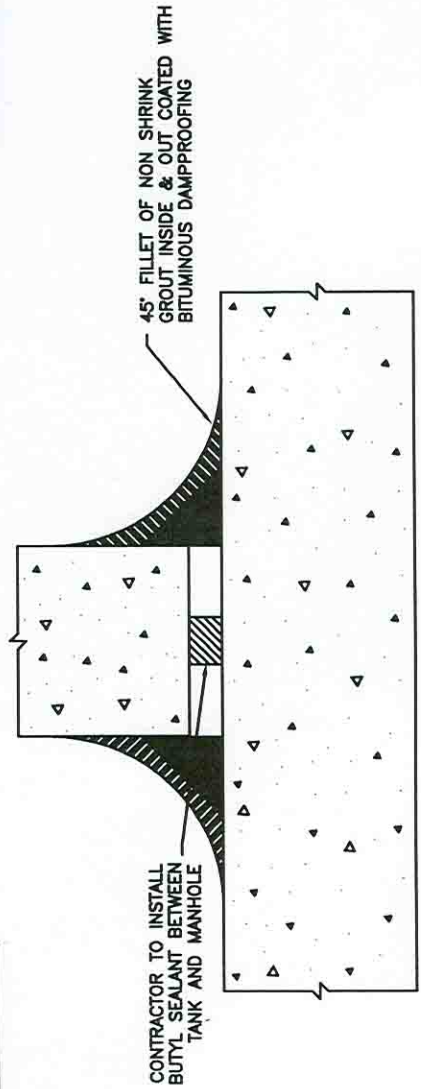
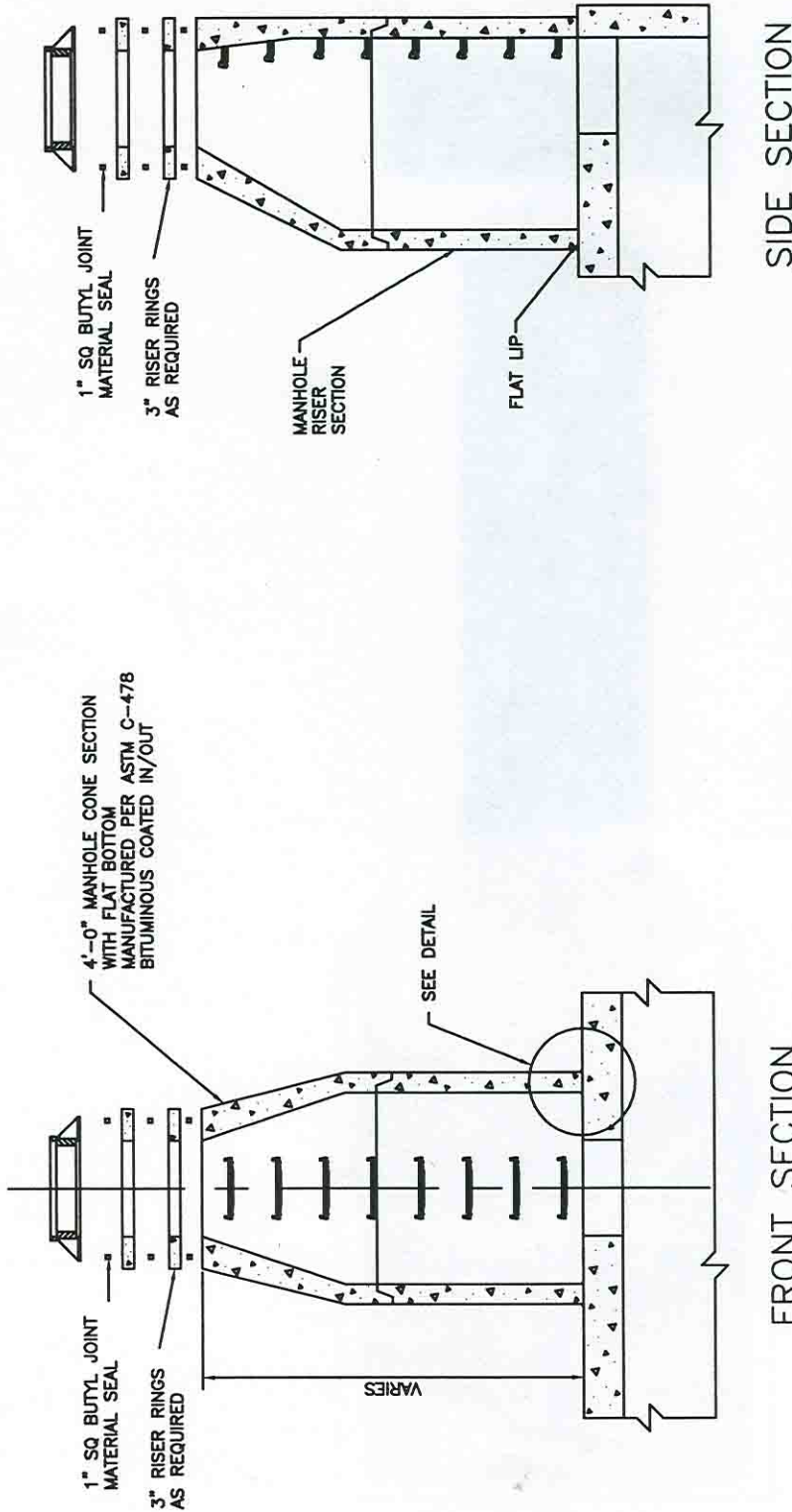
PRODUCT DESIGNATION

MANHOLE RISER/TANK JOINT DETAIL

DWG. NO.

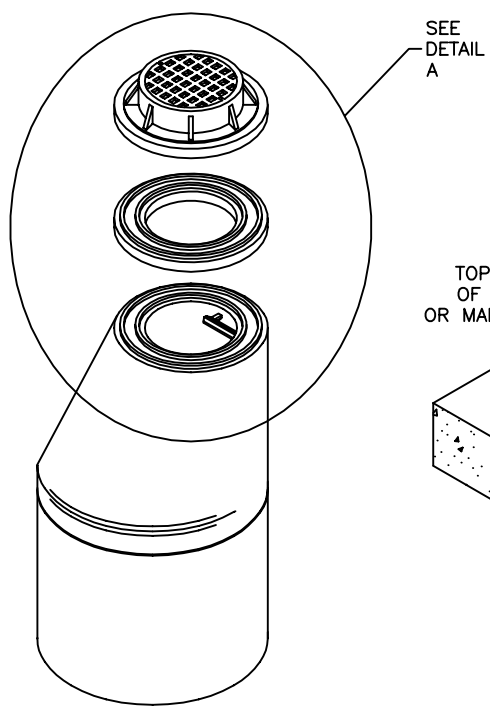
BLOCK-CONEDET1  
3-26-91

©

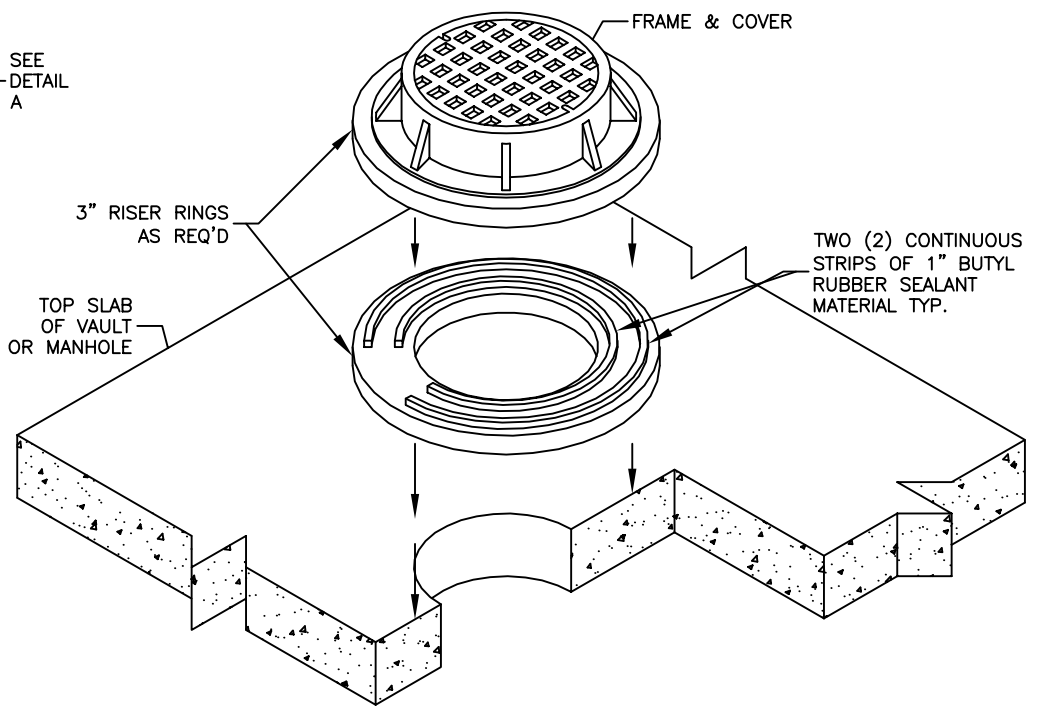




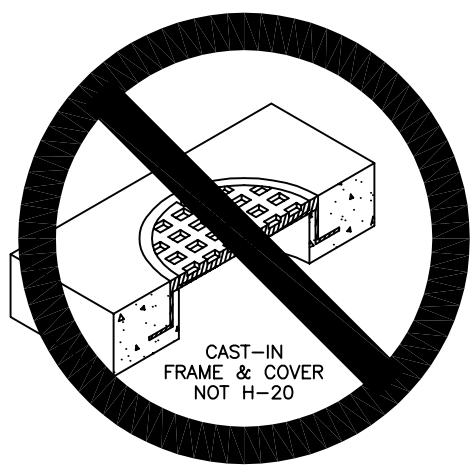
# MANHOLE/VAULT FRAME & COVER DETAILS



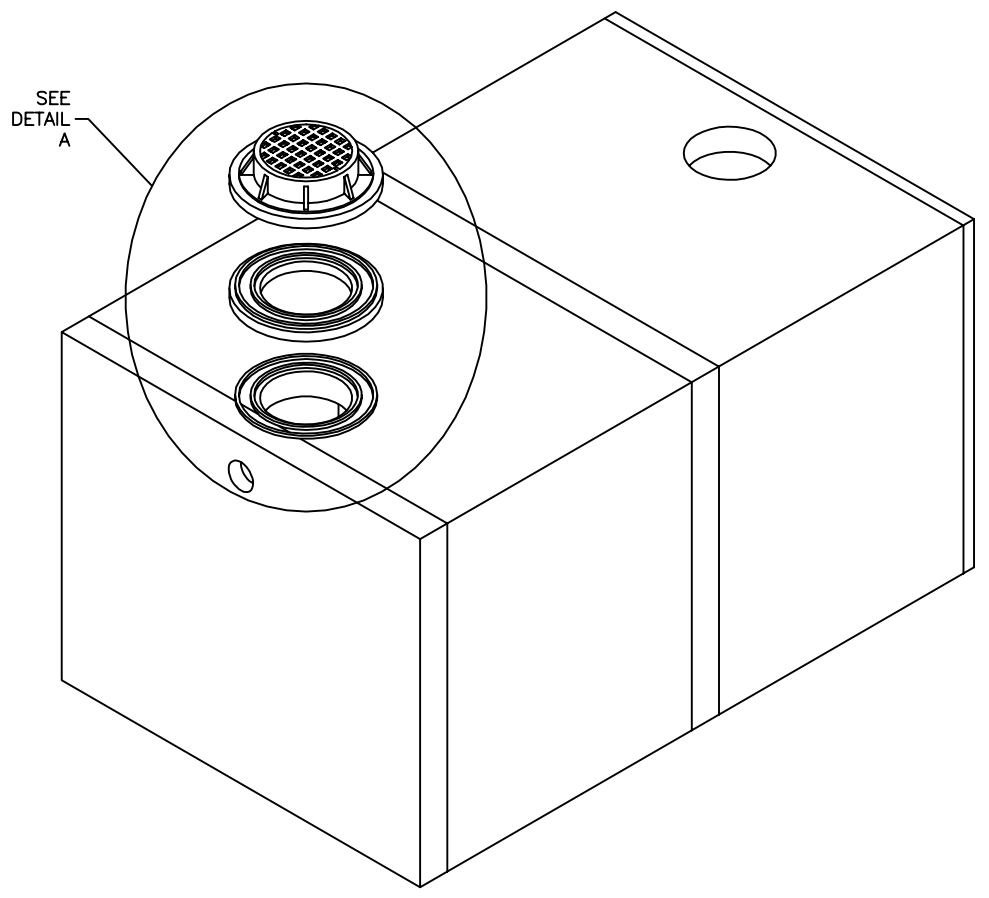
MANHOLE RISER/FRAME & COVER DETAIL  
H-20 LOADING



DETAIL A



VAULT/SLAB FRAME & COVER  
NON-FUNCTIONAL DETAIL



VAULT/SLAB/RISER/FRAME & COVER DETAIL  
H-20 LOADING