



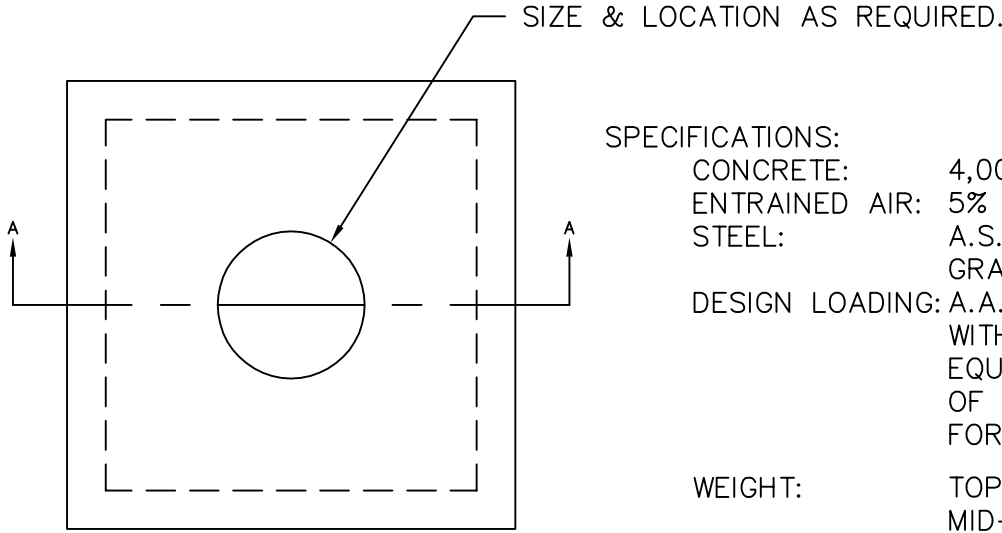
KISTNER CONCRETE PRODUCTS INC.  
8713 READ ROAD  
E. PEMBROKE, N.Y.  
14056  
(716) 894-2267

PRODUCT DESIGNATION

DWG. NO.

8'-0" X 8'-0" STANDARD SQUARE STRUCTURE

SRS-8SQ



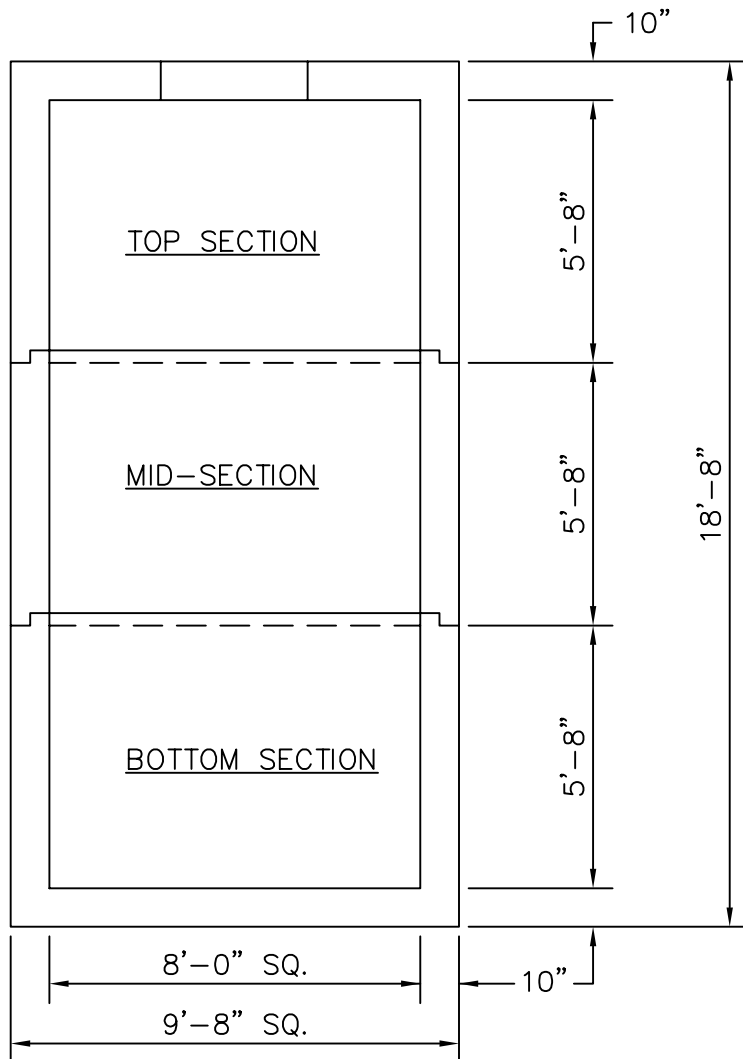
PLAN

SPECIFICATIONS:

CONCRETE: 4,000 P.S.I. @ 28 DAYS  
 ENTRAINED AIR: 5% - 9%  
 STEEL: A.S.T.M. A496-A615  
 GRADE 60-60 KSI.  
 DESIGN LOADING: A.A.S.H.T.O. HS-20-44  
 WITH 30% IMPACT AND  
 EQUIVALENT SOIL PRESSURE  
 OF 130 (PSF). FLOATATION  
 FORCES NOT ACCOUNTED FOR.

WEIGHT:

TOP SECTION: 35,382 LBS.  
 MID-SECTION: 24,719 LBS.  
 BOTTOM SECTION: 36,255 LBS.  
 TOTAL: 96,356 LBS.



SECTION A-A