



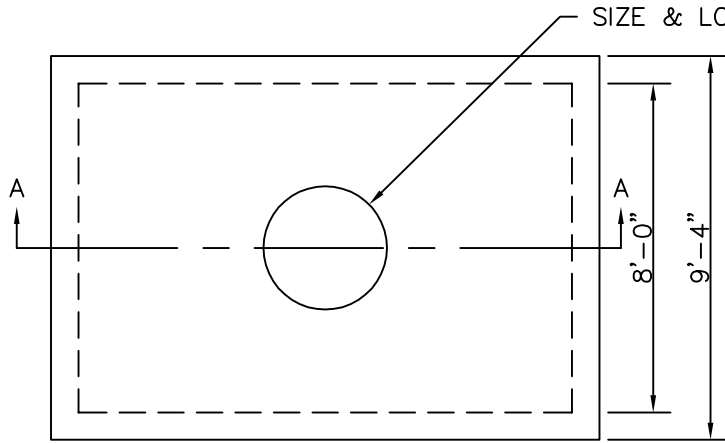
KISTNER CONCRETE PRODUCTS INC.  
 8713 READ ROAD  
 E. PEMBROKE, N.Y.  
 14056  
 (716) 894-2267

PRODUCT DESIGNATION

DWG. NO.

8'-0" X 12'-0" STANDARD  
 RECTANGULAR STRUCTURE

SRS-812



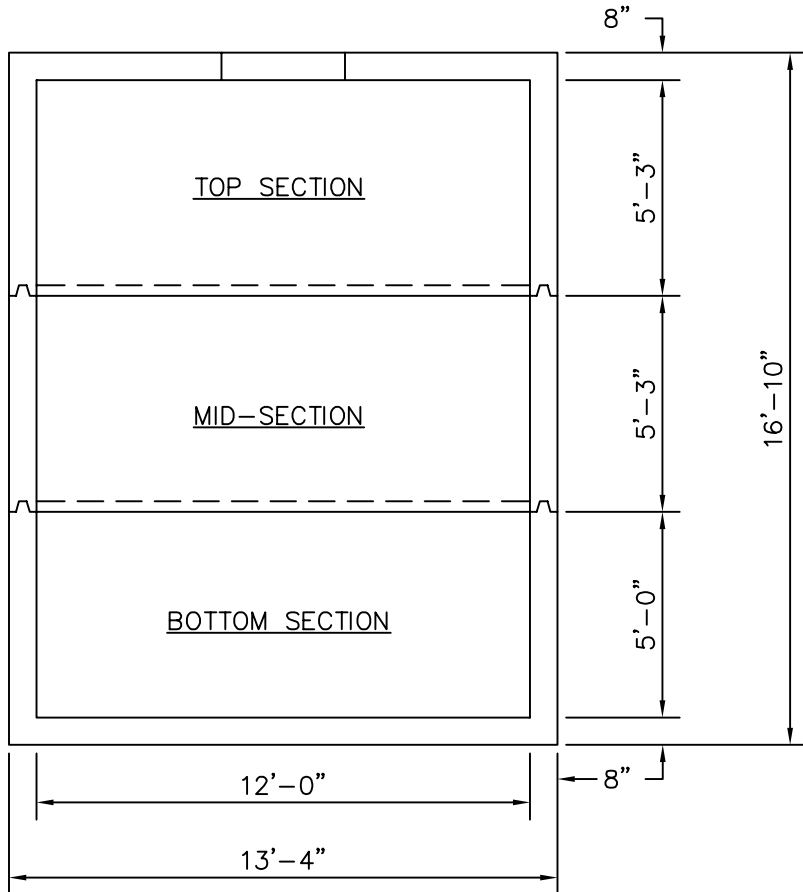
PLAN

SPECIFICATIONS:

CONCRETE: 4,000 P.S.I. @ 28 DAYS.  
 ENTRAINED AIR: 5% - 9%.  
 STEEL: A.S.T.M. A496-A615  
 GRADE 60-60 KSI.  
 DESIGN LOADING: A.A.S.H.T.O. HS-20-44  
 WITH 30% IMPACT AND  
 EQUIVALENT SOIL PRESSURE  
 OF 130 (PSF). FLOATATION  
 FORCES NOT ACCOUNTED FOR.

WEIGHT:

TOP SECTION: 32,663 LBS.  
 MID-SECTION: 22,123 LBS.  
 BOTTOM SECTION: 33,361 LBS.  
 TOTAL: 88,147 LBS.



SECTION A-A