

C:\Drawings\New Stuff after 2-26-10\PRODUCTS\Transformer Vault\NYSEG Pull Box with Transformer Slabs.dwg

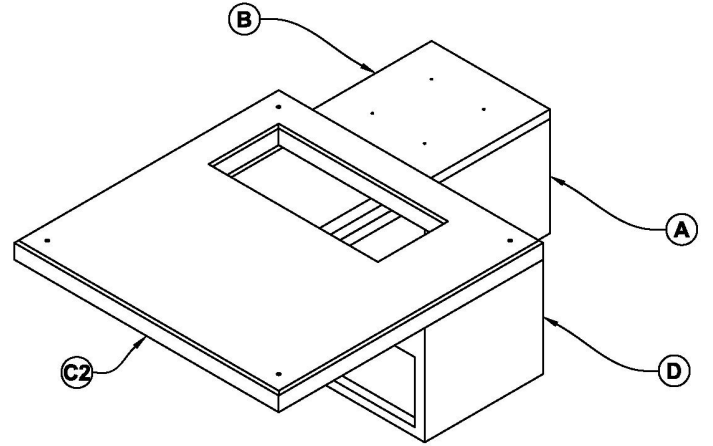
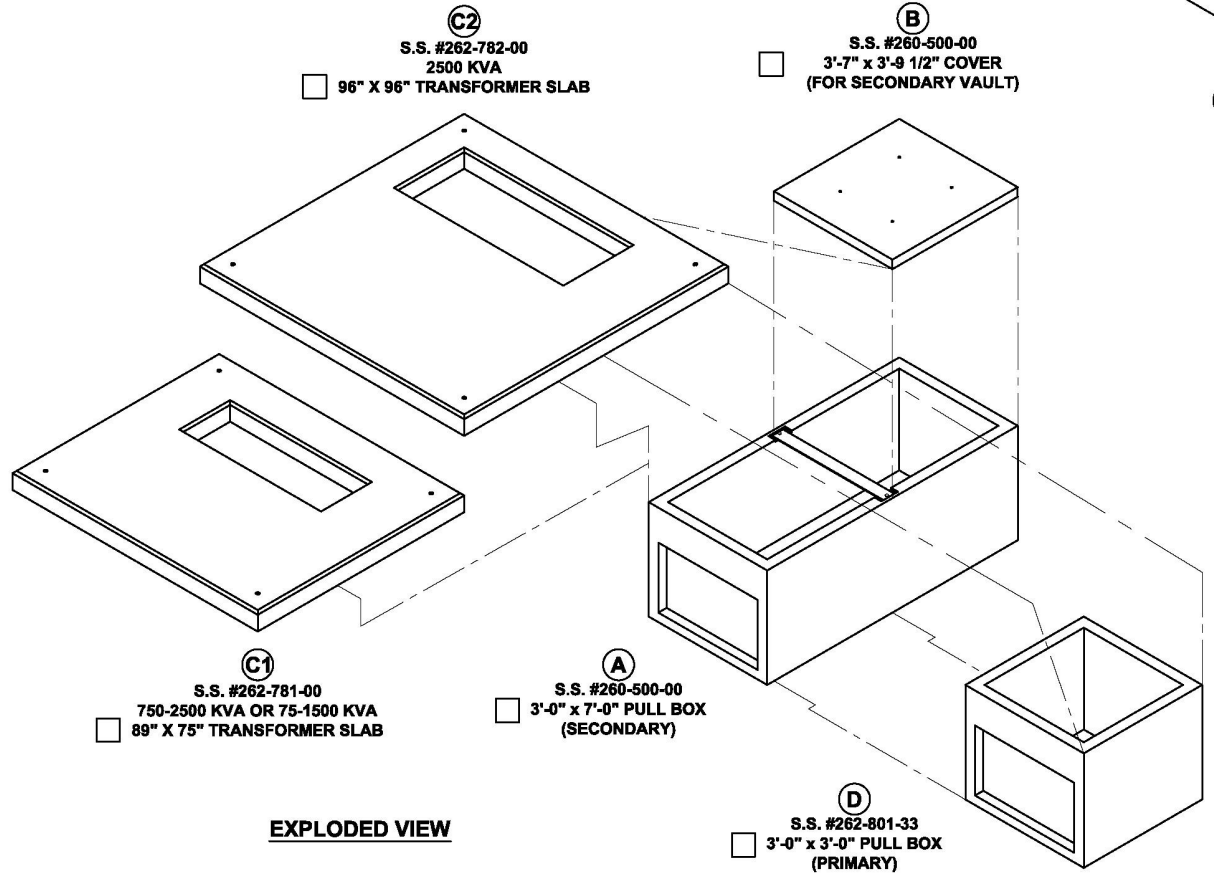
GENERAL NOTES

PULL BOX & COVER

- 1.) 4,000 PSI CONCRETE AT 28 DAYS.
- 2.) GRADE 60 #4 REINFORCING BARS @ 12" CENTERS USED THROUGHOUT.
- 3.) ALL BARS CENTERED.
- 4.) ONE COVER SECTION REQUIRED FOR EACH BOX.
- 5.) REFER TO SECTION 7 OF NYSEG'S UNDERGROUND STANDARDS FOR LIFTING DEVICES.
- 6.) PRIMARY PULL BOX D IS OPTIONAL - NOT PART OF THIS PACKAGE. USED BY NYSEG FOR COILING OF ADDITIONAL CABLE IN CASE OF FAILURE AT ELBOWS.

TRANSFORMER SLABS

- 1.) 4,000 PSI CONCRETE AT 28 DAYS.
- 2.) GRADE 60 #4 REINFORCING BARS @ 6" CENTERS USED THROUGHOUT.
- 3.) TOP AND BOTTOM TO BE SMOOTH FINISH.



<input type="checkbox"/> Approved <input type="checkbox"/> Approved As Noted By: _____ DATE _____	<table border="1" style="width: 100%; border-collapse: collapse;"> <tr> <th style="width: 25%;">REV. NO.</th> <th style="width: 25%;">DATE</th> <th style="width: 50%;">DESCRIPTION</th> </tr> <tr> <td> </td> <td> </td> <td> </td> </tr> <tr> <td> </td> <td> </td> <td> </td> </tr> <tr> <td> </td> <td> </td> <td> </td> </tr> <tr> <td> </td> <td> </td> <td> </td> </tr> <tr> <td> </td> <td> </td> <td> </td> </tr> </table>	REV. NO.	DATE	DESCRIPTION															
REV. NO.	DATE	DESCRIPTION																	
<table border="1" style="width: 100%; border-collapse: collapse;"> <tr> <td style="width: 70%;"> JOB ID: DATE: 1/17/14 </td> <td style="width: 30%;"> SHEET TITLE: NOTES, ASSEMBLED PLAN & SECTION VIEWS </td> </tr> <tr> <td style="width: 70%;"> SCALE: NONE </td> <td style="width: 30%;"> DRAWN BY: DAR CHK'D BY: MAK </td> </tr> <tr> <td colspan="2" style="text-align: center;"> PROJECT: 3' X 7' NYSEG PRECAST PULL BOX WITH TRANSFORMER SLABS </td> </tr> </table>		JOB ID: DATE: 1/17/14	SHEET TITLE: NOTES, ASSEMBLED PLAN & SECTION VIEWS	SCALE: NONE	DRAWN BY: DAR CHK'D BY: MAK	PROJECT: 3' X 7' NYSEG PRECAST PULL BOX WITH TRANSFORMER SLABS													
JOB ID: DATE: 1/17/14	SHEET TITLE: NOTES, ASSEMBLED PLAN & SECTION VIEWS																		
SCALE: NONE	DRAWN BY: DAR CHK'D BY: MAK																		
PROJECT: 3' X 7' NYSEG PRECAST PULL BOX WITH TRANSFORMER SLABS																			
<table border="1" style="width: 100%; border-collapse: collapse;"> <tr> <td style="width: 50%; text-align: center;"> CONTRACT NO.: KSTNER SH. NO.: 2 OF 10 </td> <td style="width: 50%; text-align: center;"> CONTRACT NO.: NYSDOT DES. NO.: </td> </tr> <tr> <td colspan="2" style="text-align: center;"> KISTNER CONCRETE PRODUCTS, INC. 5550 HINMAN ROAD LOCKPORT, NEW YORK 14094 PHONE 716-434-8157 <small>PROPRIETARY INFORMATION ALL RIGHTS OF KISTNER CONCRETE PRODUCTS, INC.</small> </td> </tr> </table>		CONTRACT NO.: KSTNER SH. NO.: 2 OF 10	CONTRACT NO.: NYSDOT DES. NO.:	KISTNER CONCRETE PRODUCTS, INC. 5550 HINMAN ROAD LOCKPORT, NEW YORK 14094 PHONE 716-434-8157 <small>PROPRIETARY INFORMATION ALL RIGHTS OF KISTNER CONCRETE PRODUCTS, INC.</small>															
CONTRACT NO.: KSTNER SH. NO.: 2 OF 10	CONTRACT NO.: NYSDOT DES. NO.:																		
KISTNER CONCRETE PRODUCTS, INC. 5550 HINMAN ROAD LOCKPORT, NEW YORK 14094 PHONE 716-434-8157 <small>PROPRIETARY INFORMATION ALL RIGHTS OF KISTNER CONCRETE PRODUCTS, INC.</small>																			