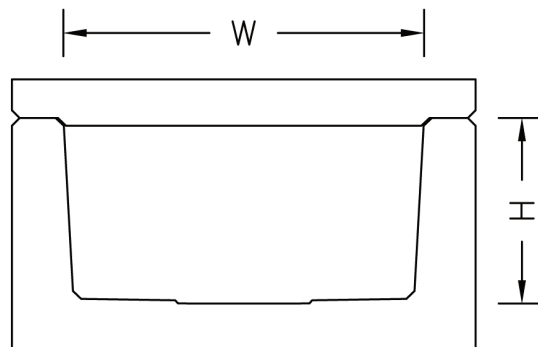
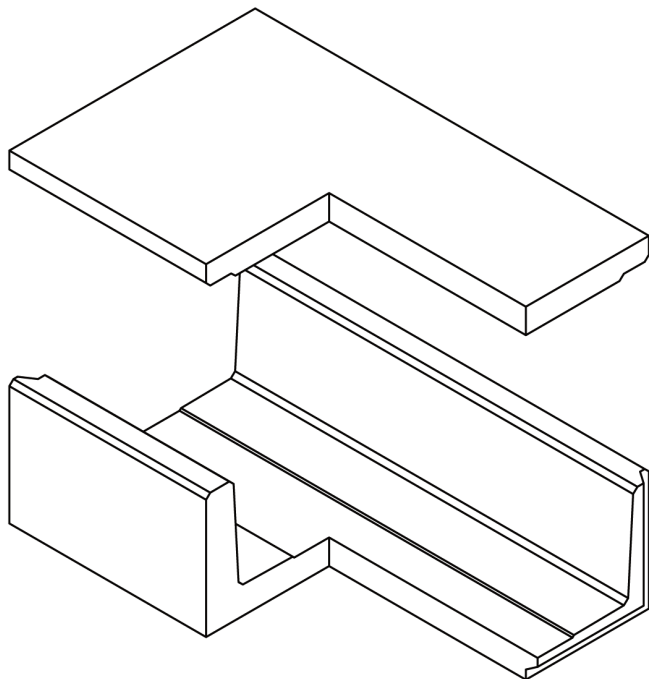


TUNNEL STANDARDS



T1 TUNNEL							
DESCRIPTION	QTY	CODE	WIDTH	MAX. HEIGHT	MAX. LENGTH	WT./ L.F.	TYPE SPECIALS
SECTION		T-T1	28"	25"	8'/16'		FIXED 45° & 90° CORNERS

T2 TUNNEL							
DESCRIPTION	QTY	CODE	WIDTH	MAX. HEIGHT	MAX. LENGTH	WT./ L.F.	TYPE SPECIALS
SECTION		T-T2	22"	19 1/2"	8'/16'		

ADJUSTABLE TUNNEL WITH COVERS							
DESCRIPTION	QTY	CODE	WIDTH	MAX. HEIGHT	MAX. LENGTH	WT./ L.F.	TYPE SPECIALS
SECTIONS		T3-2	3'	2'	8'/16'	861	
		T3-2.5	3'	2.5'	8'/16'	965	
		T3-3	3'	3'	8'/16'	1039	
		T4-2	4'	2'	8'/16'	1039	
		T4-2.5	4'	2.5'	8'/16'	1113	
		T4-3	4'	3'	8'/16'	1187	
		T5-2	5'	2'	8'/16'	1187	
		T5-2.5	5'	2.5'	8'/16'	1261	
	T5-3	5'	3'	8'/16'	1335		
BULKHEAD		BULKH					
END SLABS		ES-3				1185	
		ES-4				1481	
		ES-5				1777	

T4 - 4' X 4' TUNNEL							
SECTION	QTY	CODE	WIDTH	MAX. HEIGHT	MAX. LENGTH	WT./ L.F.	TYPE SPECIALS
SECTIONS		T4-2	4'	2'	8'/16'	1039	EXPANSION LOOP 90° MITER AVAILABLE
		T4-2.5	4'	2.5'	8'/16'	1113	
		T4-3	4'	3'	8'/16'	1187	
		T4-3.5	4'	3.5'	8'/16'	1261	
		T4-4	4'	4'	8'/16'	1335	
END SLABS		NSLAB-4	4'			1481	

OTHER SIZES							
SECTION	QTY	CODE	WIDTH	MAX. HT. (ID)	PC. LENGTH	WT./ L.F.	TYPE SPECIALS
SECTIONS		T4.5-42	4'-6"	42"	8'-0"	8846	
		T5-62	5'-0"	62.5"	10'-0"	15460	
		T6-48	6'-0"	48"	12'-0"	15962	
		T6-62	6'-2"	62"	8'-0"	12979	

