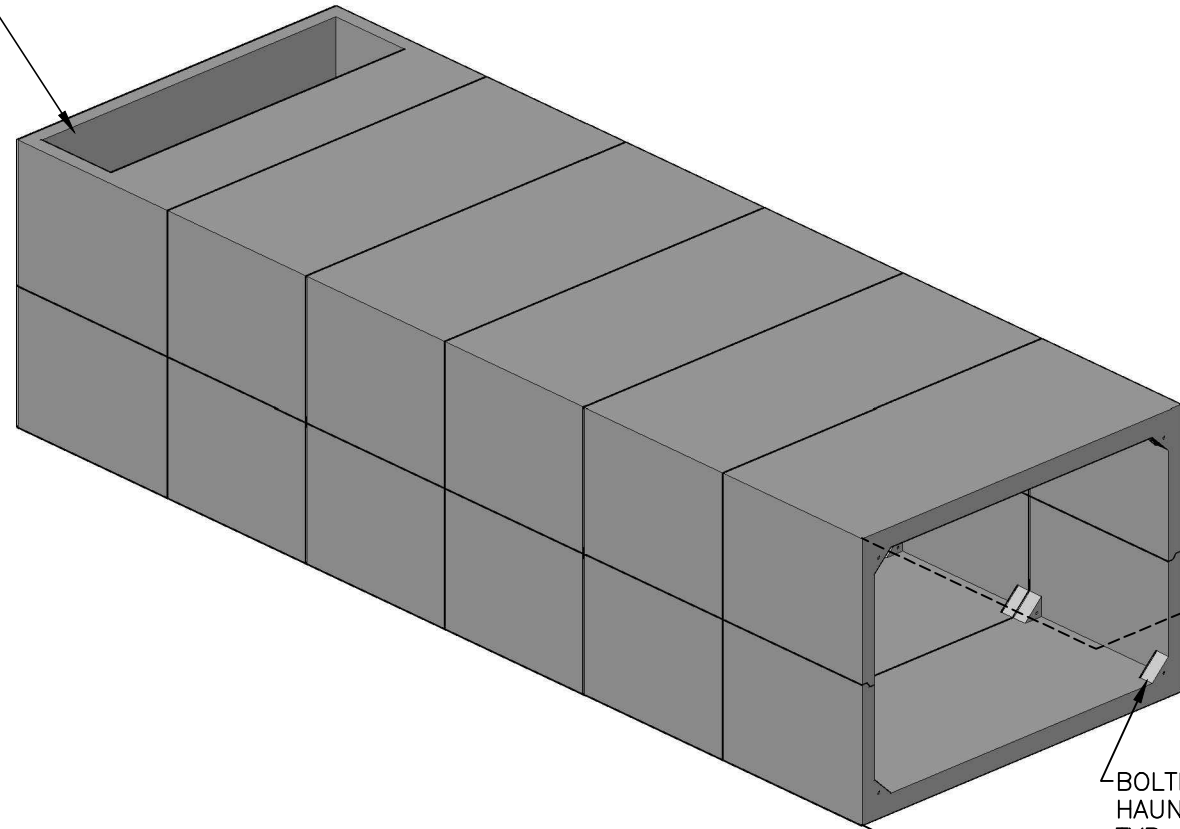
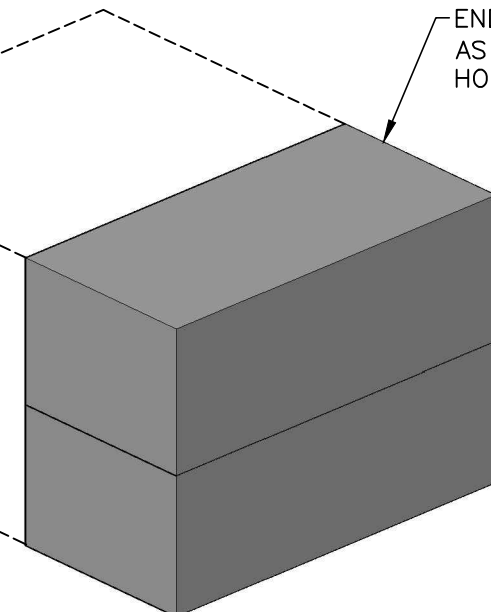


TOP OPENING - SIZE & LOCATION AS REQUIRED
(ie) SQUARE, ROUND, HATCH AND RISERS AVAILABLE

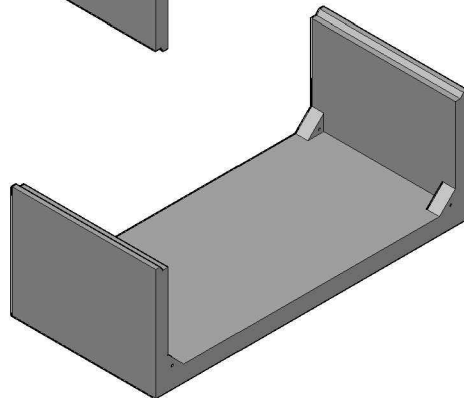
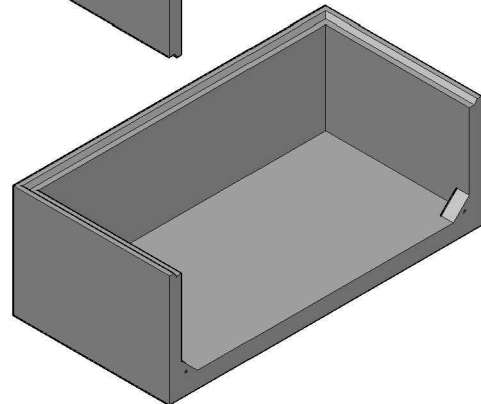
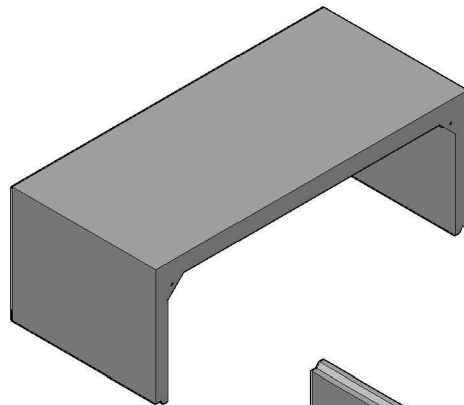
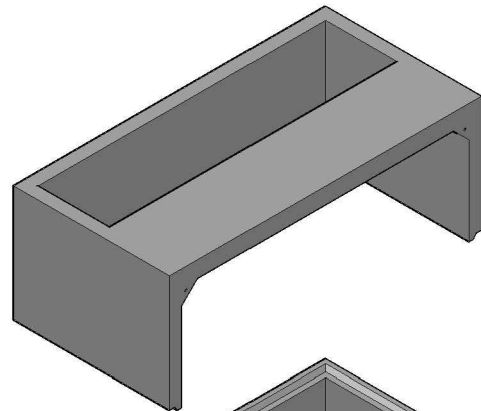


END ELEMENT - OPENINGS AS REQUIRED. (ie) BOOTS, HOLES, ETC...



BOLTING HAUNCHES TYP.

MOD-U-KAST TUNNEL ASSEMBLY



END ELEMENTS

CENTER ELEMENTS

<input type="checkbox"/> Approved <input type="checkbox"/> Approved As Noted		<table border="1"> <thead> <tr> <th>REV. NO.</th> <th>DATE</th> <th>DESCRIPTION</th> </tr> </thead> <tbody> <tr> <td> </td> <td> </td> <td> </td> </tr> <tr> <td> </td> <td> </td> <td> </td> </tr> <tr> <td> </td> <td> </td> <td> </td> </tr> <tr> <td> </td> <td> </td> <td> </td> </tr> <tr> <td> </td> <td> </td> <td> </td> </tr> <tr> <td> </td> <td> </td> <td> </td> </tr> </tbody> </table>		REV. NO.	DATE	DESCRIPTION																		
REV. NO.	DATE	DESCRIPTION																						
<p>By: _____ DATE _____</p>		<p>ACCT # XXXX</p> <p>MOD-U-KAST CLIENT</p> <p>JOB ID: XXXXX</p> <p>DATE: 3/25/16 SHEET TITLE: MOD-U-KAST TUNNEL DETAILS DRAWN BY: MAK</p> <p>SCALE: N.T.S. CK'D BY: MJK</p> <p>PROJECT: MOD-U-KAST TUNNEL - VAULT SYSTEM</p> <p>KISTNER DWG NO: . CONTRACT DWG NO: .</p> <p>KISTNER SHT NO: 1 OF 1 NYSDOT DWG NO: .</p> <p>KISTNER CONCRETE PRODUCTS, INC.</p> <p>5550 HINMAN ROAD LOCKPORT, NEW YORK 14094 PHONE 716-434-6157 PROPRIETARY INFORMATION ALL RIGHTS OF KISTNER CONCRETE PRODUCTS, INC.</p>																						