



KISTNER CONCRETE PRODUCTS INC.
8713 READ ROAD
E. PEMBROKE, N.Y.
14056
(716) 894-2267

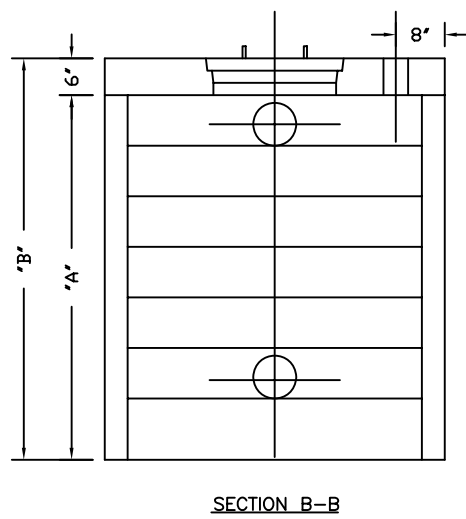
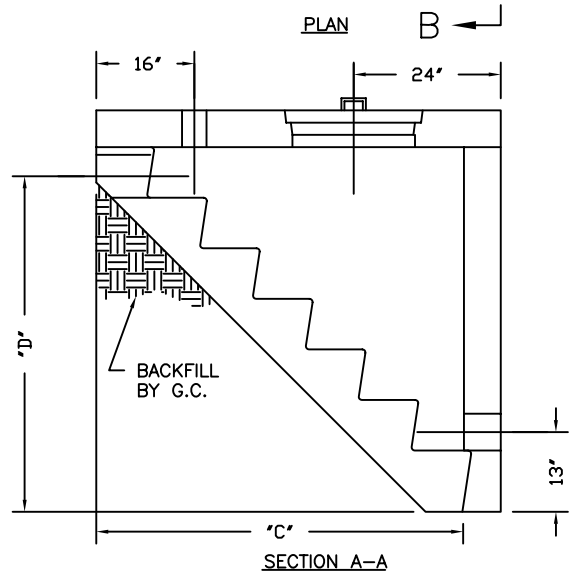
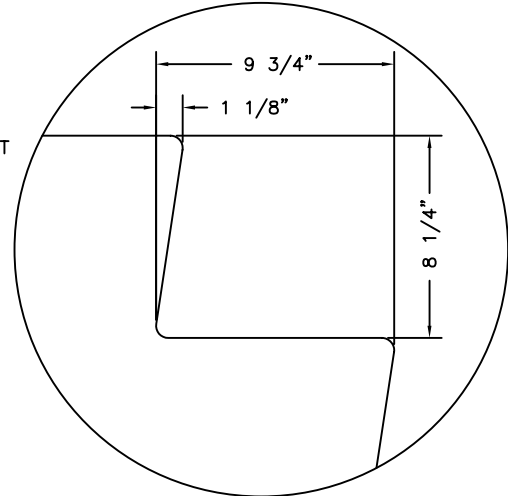
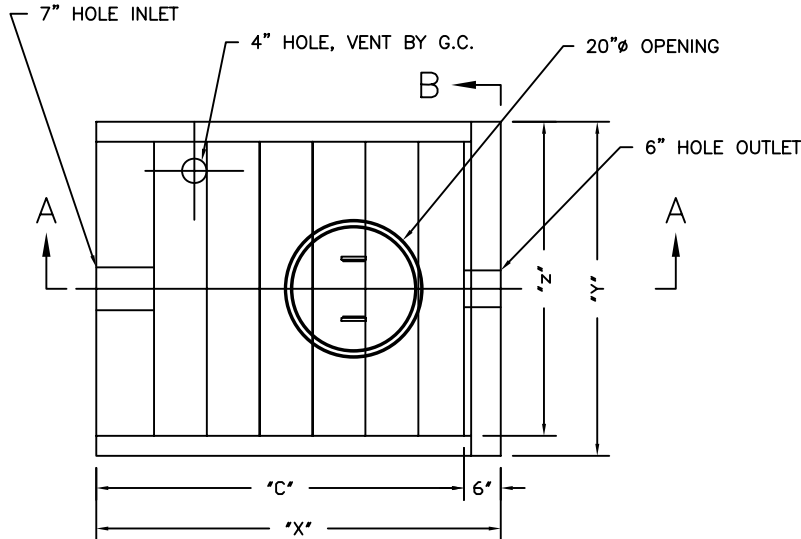
PRODUCT DESIGNATION

STEP AERATOR-SERIES

DWG. NO.

SA-S ©
6-14-93

SPECIFICATIONS:
CONCRETE: 4000 P.S.I. @ 28 DAYS.
ENTRAINED AIR: 5% - 9%.
STEEL: A.S.T.M. A496-A615
GRADE 60-60 KSI.



DIMENSION	S	O	B	C	D
A	42"	60"	68"	76"	84"
B	48"	68"	74"	82"	90"
C	43"	58"	64"	72"	84"
D	38 1/4"	46 1/2"	54 3/4"	63"	71 1/4"
X	49"	64"	70"	78"	90"
Y	51 1/2"	51 1/2"	55 1/2"	55 1/2"	55 1/2"
Z	42"	42"	46"	46"	46"
# OF STEPS	5	6	7	8	9"
CHECK ONE					