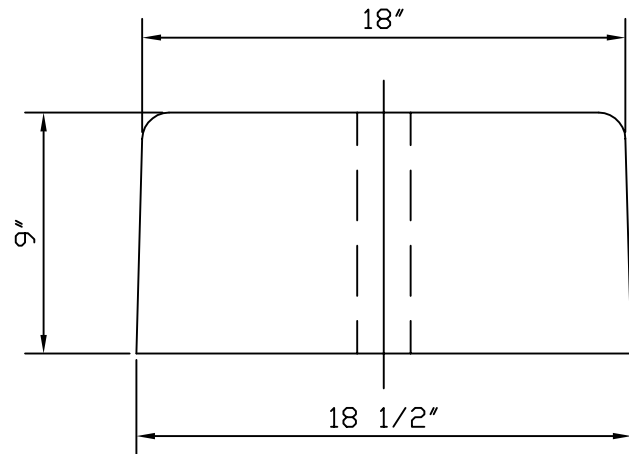
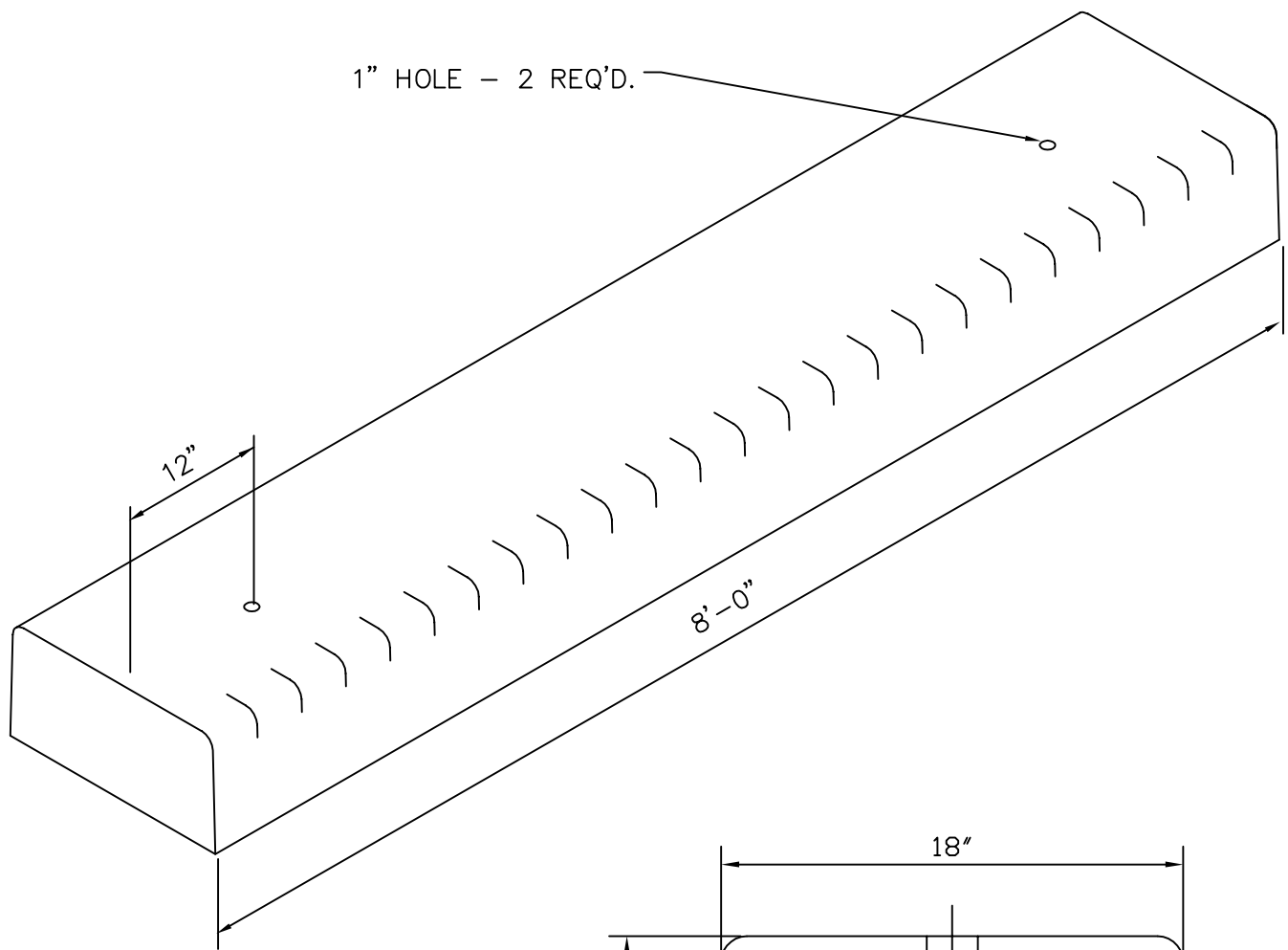




KISTNER CONCRETE PRODUCTS INC.  
 8713 READ ROAD  
 E. PEMBROKE, N.Y.  
 14056  
 (716) 894-2267

PRODUCT DESIGNATION  
 MASSIVE 8'-0" PARKING BUMPER

DWG. NO.  
 PRKB-8M  
 2-1-90



END DETAIL

SPECIFICATIONS:  
 CONCRETE: 4000 P.S.I. @ 28 DAYS.  
 ENTRAINED AIR: 5% - 9%.  
 STEEL: A.S.T.M. A496-A615  
 GRADE 60-60 KSI.  
 WEIGHT: 1350 LBS.