



KISTNER CONCRETE PRODUCTS INC.  
8713 READ ROAD  
E. PEMBROKE, N.Y.  
14056  
(716) 894-2267

# PRODUCT DESIGNATION

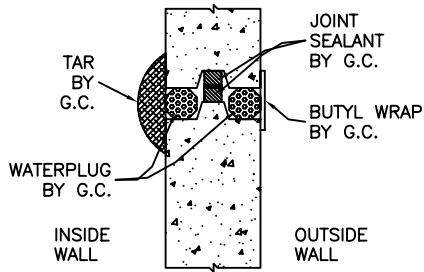
5'-0" X 10'-0"  
POWER/COMMUNICATION MANHOLE

# DWG. NO.

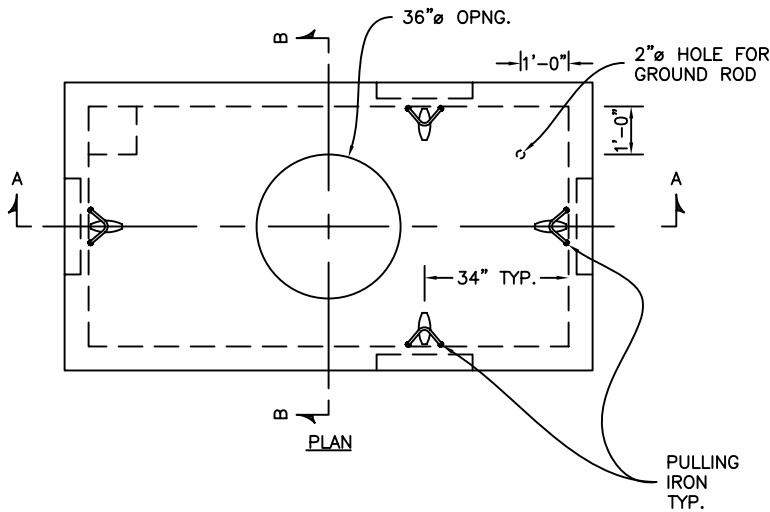
PMH-PM510 ©  
8/22/06

### SPECIFICATIONS:

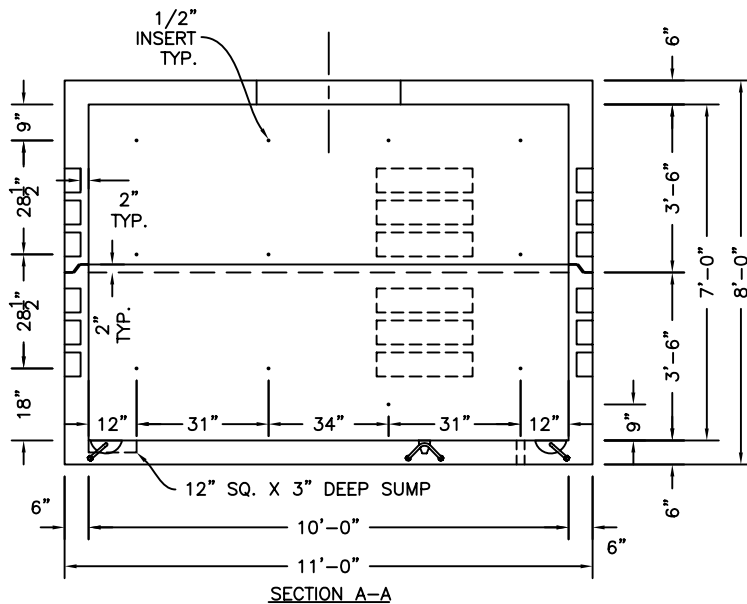
CONCRETE:	4,000 P.S.I. @ 28 DAYS.
ENTRAINED AIR:	5% - 9%.
STEEL:	A.S.T.M. A496-A615 GRADE 60-60 KSI.
DESIGN:	ACI-318.
LOADING:	A.A.S.H.T.O. HS-20-44 WITH 30% IMPACT AND EQUIVALENT SOIL DENSITY OF 120 (PCF). FLOTATION FORCES NOT ACCOUNTED FOR. WATER TABLE 3'-0" BELOW GRADE.
WEIGHT:	TOP SECTION: 13,047.10 LBS. BOTTOM SECTION: 14,003.69 LBS. TOTAL: 27,050.79 LBS.
* INSERTS:	1/2" DIA. SUPPLIED & INSTALLED.



JOINT DETAIL

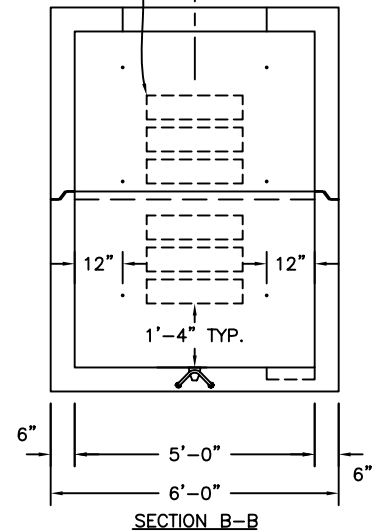


PLAN



SECTION A-A

(6) 6" X 24"  
KNOCKOUTS ON  
EA. WALL 8"  
O.C. TYP.



SECTION B-B