



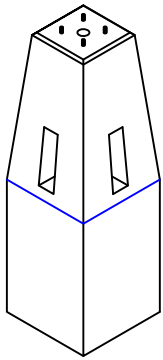
KISTNER CONCRETE PRODUCTS, INC.

ELECTRICAL PRODUCTS OVERVIEW

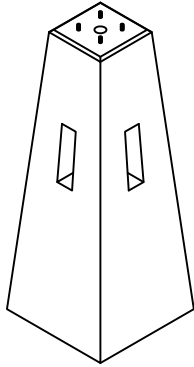
(GO TO: www.kistner.com → ELECTRICAL PRODUCTS)

"THE COMPLETE ELECTRICAL INFRASTRUCTURE PACKAGE"

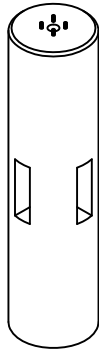
LIGHT BASES



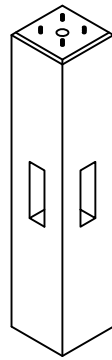
TAPERED W/STRAIGHT SHANK
16"x24"/20"x28"/24"x30"



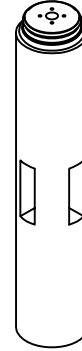
TAPERED FULL
16"x24"/18"x28"/24"x44"



ROUND
18"/24"/30"/36"



SQUARE
24"/30"/36"



ARCHITECTURAL IONIC
24"

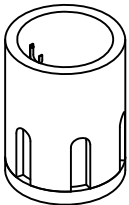
PRECAST ADVANTAGES

- FAST
- HIGH QUALITY
- QUICK AVAILABILITY
- N.Y.S.D.O.T. APPROVED

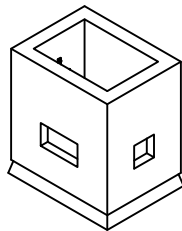
UNI-BASE™

- LESS COORDINATION
- GREATER FLEXIBILITY
- RETRO FIT WIRING CAPABILITY

PULLBOXES

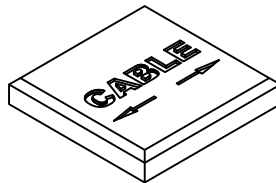


ROUND
18–30" DIA.



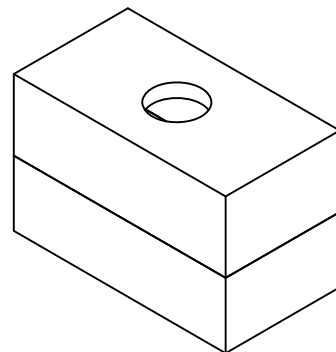
SQUARE
24"–36"

CABLE MARKERS



- CABLE
- SPLICE
- DUCT

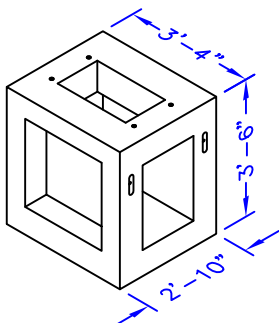
ELECTRIC MANHOLES



- 4' X 4'
- 5' X 5'
- 5' X 10'
- 6' X 6'
- 6' X 8'
- 6' X 12'

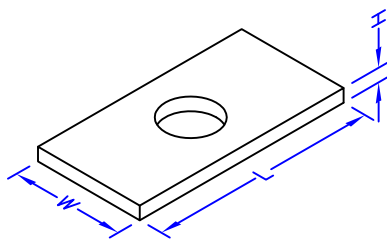
4'x4' – 6'x12' AND LARGER

CONTROLLER BASE (N.Y.S.D.O.T.)

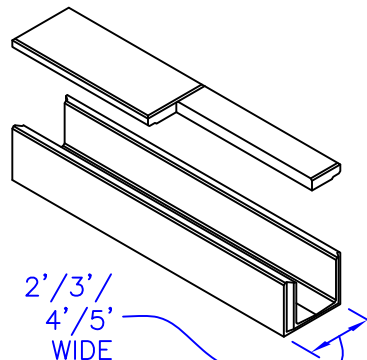


(IN STOCK)

ROOF SLABS



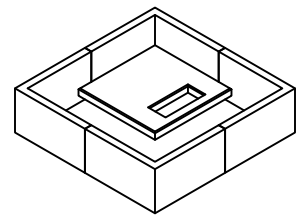
PRECAST TUNNEL – TRENCH



2'/3'/4'/5' WIDE

TRANSFORMER PADS & CURBS

- NATIONAL GRID
- RG&E
- NYSE&G



(IN STOCK)