



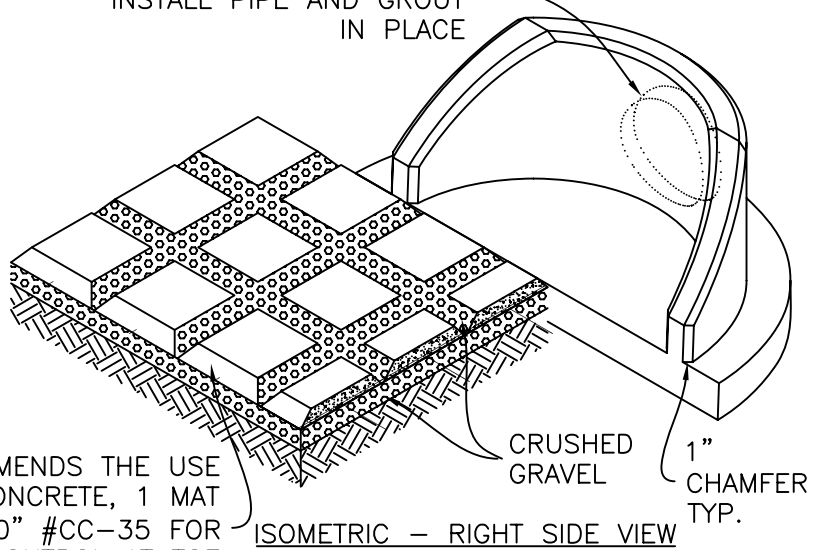
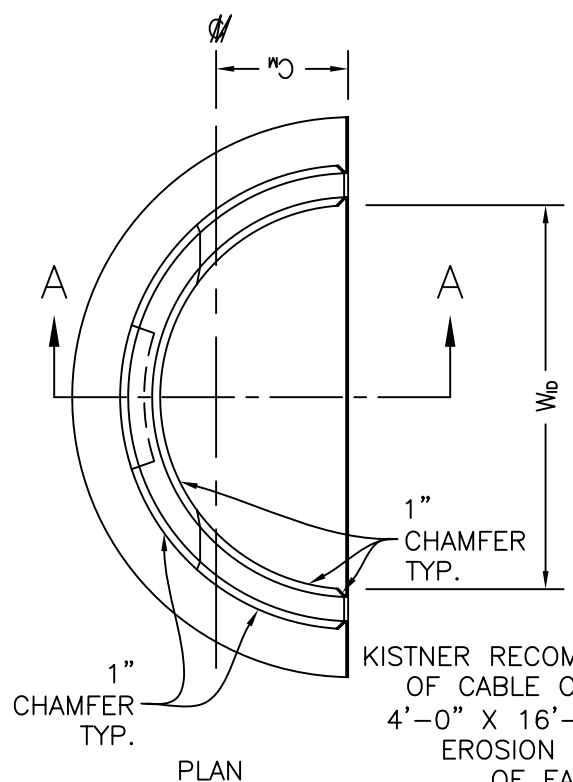
KISTNER CONCRETE PRODUCTS INC.  
8713 READ ROAD  
E. PEMBROKE, N.Y.  
14056  
(716) 894-2267

PRODUCT DESIGNATION  
C.M.P. - P.V.C. - R.C.P. - H.D.P.E.  
PRECAST CONCRETE PIPE END SECTION

DWG. NO.  
MH-PES ©  
1-26-07

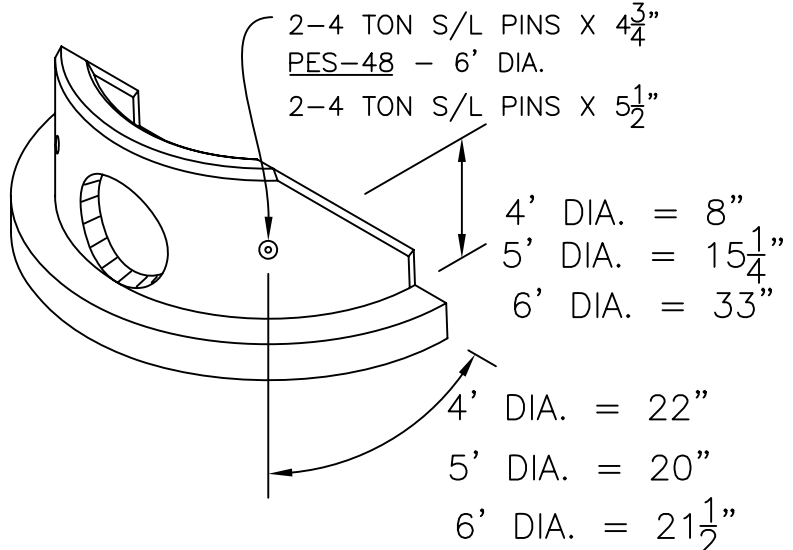
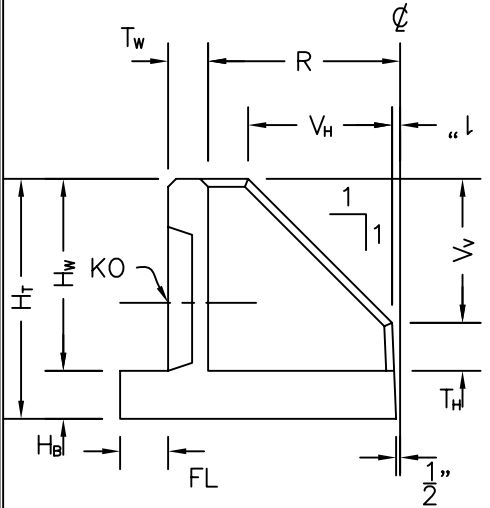
SPECIFICATIONS:  
CONCRETE: 4,000 P.S.I. @ 28 DAYS.  
ENTRAINED AIR: 5% - 9%.  
STEEL: A.S.T.M. A496-A615 GRADE 60-60 KSI.  
DESIGN LOADING: A.A.S.H.T.O. HS-20-44 WITH 30% IMPACT AND EQUIVALENT SOIL PRESSURE OF 130 (PCF). FLOTATION FORCES NOT ACCOUNTED FOR.

CONTRACTOR TO BREAK OUT KNOCKOUT AS REQUIRED, INSTALL PIPE AND GROUT IN PLACE



KISTNER RECOMMENDS THE USE OF CABLE CONCRETE, 1 MAT 4'-0" X 16'-0" #CC-35 FOR EROSION CONTROL AT TOE OF EACH END SECTION

- PES-16 - 4' DIA.
- 2-2 TON S/L PINS X 3<sup>3</sup>/<sub>8</sub>"
- PES-24 - 5' DIA.
- 2-4 TON S/L PINS X 4<sup>3</sup>/<sub>4</sub>"
- PES-48 - 6' DIA.
- 2-4 TON S/L PINS X 5<sup>1</sup>/<sub>2</sub>"



CODE	W <sub>ID</sub>	MAX PIPE OD	KO	R	T <sub>w</sub>	H <sub>w</sub>	H <sub>b</sub>	H <sub>t</sub>	T <sub>H</sub>	V <sub>H</sub>	V <sub>V</sub>	FL	C <sub>m</sub>	WEIGHT
PES-16	4'	20"	20"	2'	5"	24"	6"	30"	6"	18"	18"	6"	16 1/2"	1,652.2 LBS.
PES-24	5'	29"	30"	2.5'	6"	36"	8"	44"	12"	24"	24"	6"	20"	3,507.9 LBS.
PES-36	6'	40"	42"	3'	7"	48"	8"	56"	18"	30"	30"	6"	24 1/4"	5,415.7 LBS.
PES-48	6'	48"	48"	3'	7"	60"	8"	68"	30"	30"	30"	6"		6,115.7 LBS.