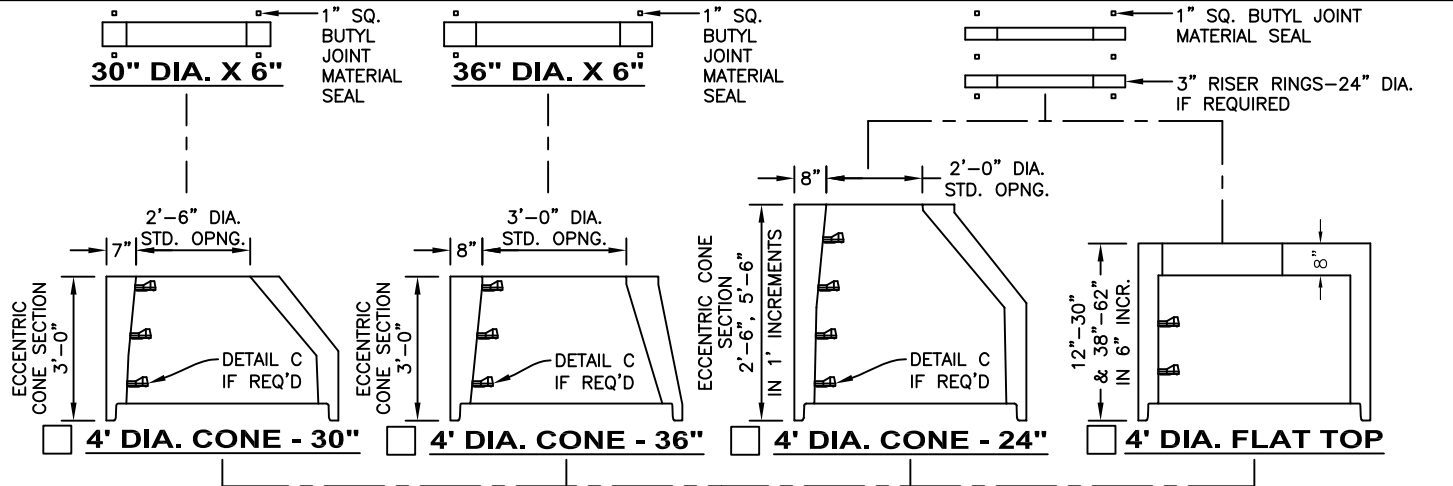




KISTNER CONCRETE PRODUCTS INC.  
8713 READ ROAD  
E. PEMBROKE, N.Y.  
14056  
(716) 894-2267

**PRODUCT DESIGNATION**  
**MANHOLE 4' DIA. SANITARY**

**DWG. NO.**  
**MH4SAN**  
5/23/12



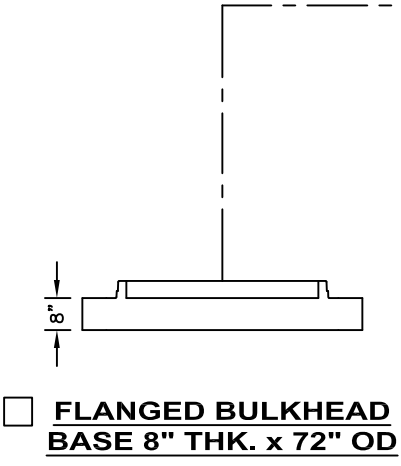
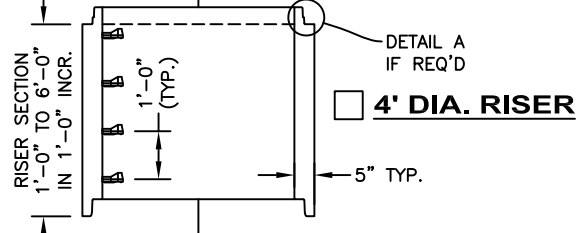
- GENERAL NOTES:**
1. REINFORCED STEEL CONFORMS TO ASTM A185 SPEC. 0.12 in<sup>2</sup>/LF AND 0.12 in<sup>2</sup>/LF B/W IN BOT. SLAB.
  2. CONCRETE COMPRESSIVE STRENGTH 4,000 PSI. MINIMUM.
  3. MANHOLE DESIGN SPECIFICATIONS CONFORM TO LATEST ASTM C478 SPEC. FOR PRECAST REINFORCED CONCRETE MANHOLE SECTIONS.
  4. ONE POUR MONOLITHIC BASE SECTION.
  5. DOGHOUSE: H=\_\_\_\_ W=\_\_\_\_

**DIMENSION FROM INVERT TO START OF CONE**

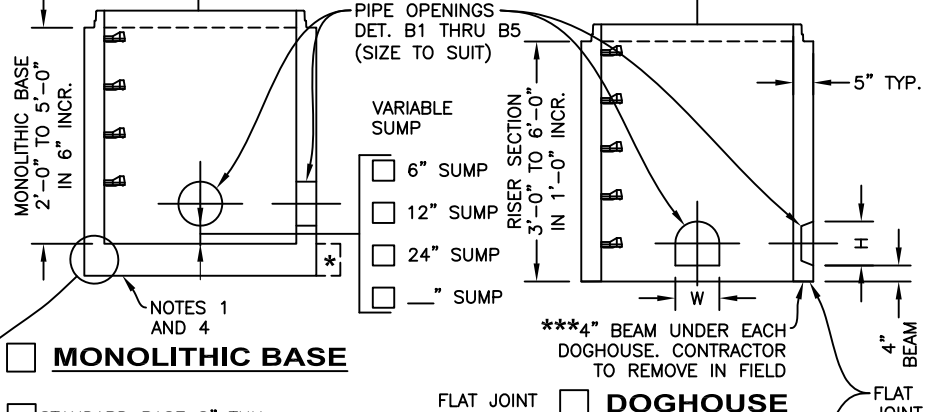
FLAT TOP SLAB IS STEEL REINFORCED TO MEET OR EXCEED HS-20 LOADING.

**AVAILABLE OPENINGS**

- 24" DIA.
- 24" SQ.
- 30" DIA.
- \_\_\_\_\_



**FLANGED BULKHEAD BASE 8" THK. x 72" OD**



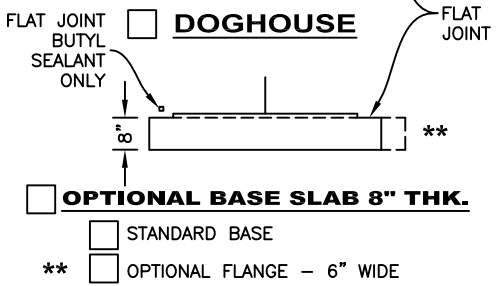
**MONOLITHIC BASE**

- STANDARD BASE 8" THK.
- \*  OPTIONAL FLANGE - 6" WIDE
- OPTIONAL - 6" THK.
- OPTIONAL - 8" THK.

BASE SECTION TO BE SET PER JOB SPECIFICATIONS

**BITUMASTIC COATINGS**  
(IF REQ'D) 2 COATS PER FACE

- INSIDE
- OUTSIDE
- NONE



**OPTIONAL BASE SLAB 8" THK.**

- STANDARD BASE
- \*\*  OPTIONAL FLANGE - 6" WIDE

