



KISTNER CONCRETE PRODUCTS INC.  
8713 READ ROAD  
E. PEMBROKE, N.Y. 14056  
(716) 894-2267

PRODUCT DESIGNATION

MANHOLE TAKE-OFF 4' DIA. CONE

DWG. NO.

MH-MHT04C ©

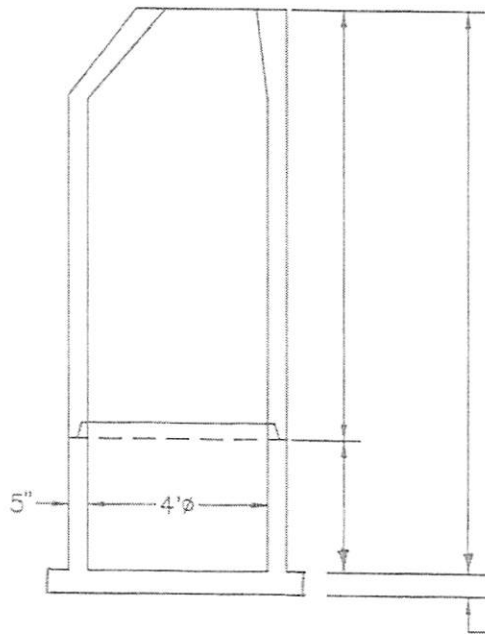
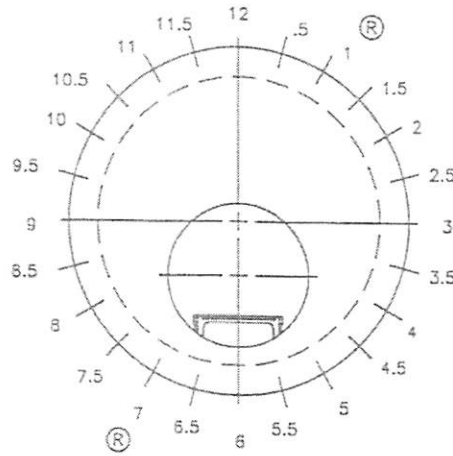
12-26-95

EL. \_\_\_\_\_  
BOOT RANGE \_\_\_\_\_  
\_\_\_\_\_ SUMP

EL. \_\_\_\_\_  
BOOT RANGE \_\_\_\_\_  
\_\_\_\_\_ SUMP

EL. \_\_\_\_\_  
BOOT RANGE \_\_\_\_\_  
\_\_\_\_\_ SUMP

RIM: \_\_\_\_\_  
INV.: \_\_\_\_\_  
DIFF.: \_\_\_\_\_  
F&C & ADJ.: - \_\_\_\_\_  
INV. TO T.P.: \_\_\_\_\_  
SUMP: + \_\_\_\_\_  
TBS TO T.P.: \_\_\_\_\_



DOGHOUSE CENTERS HAVE ONLY BOTTOM STEPS OMITTED.

EL. \_\_\_\_\_  
BOOT RANGE \_\_\_\_\_  
\_\_\_\_\_ SUMP

EL. \_\_\_\_\_  
BOOT RANGE \_\_\_\_\_  
\_\_\_\_\_ SUMP

EL. \_\_\_\_\_  
BOOT RANGE \_\_\_\_\_  
\_\_\_\_\_ SUMP

**SHOP DWG  
FOR PIPE  
ALIGNMENT  
AND  
ELEVATION  
ONLY**

UNIT NO.	STA. NO.	DIAMETER	4'-0"	LOT NO.
----------	----------	----------	-------	---------

NOTE:	STANDARD BASE	FLANGED BASE	COATINGS		GASKETS RUBBER
			IN	OUT	
YES					
NO					
NOTE:	PRECAST STEP HOLES	MANHOLE STEPS		ROOF OPNG.	
		STANDARD	LONG	24"	SPECIAL
YES					
NO					

PROJECT: \_\_\_\_\_  
LOCATION: \_\_\_\_\_  
CONTRACTOR: \_\_\_\_\_  
ACCOUNT #: \_\_\_\_\_