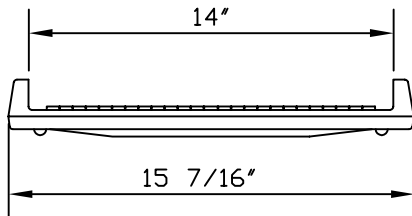
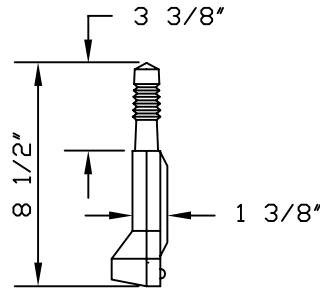
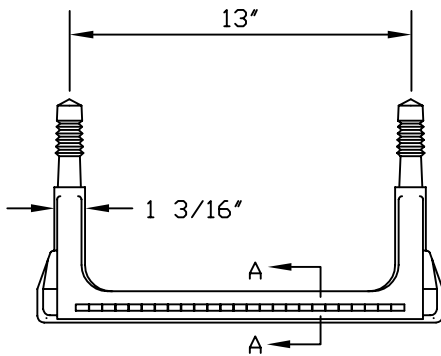




KISTNER CONCRETE
PRODUCTS INC.
8713 READ ROAD
E. PEMBROKE, N.Y.
14056
(716) 894-2267

PRODUCT DESIGNATION
STEEL REINFORCED COPOLYMER
POLYPROPYLENE MANHOLE STEP

DWG. NO.
MH-STEP
6-16-89



SPECIFICATIONS:

- CO-POLYMER POLYPROPYLENE: A.S.T.M. 2146-82, TYPE II GRADE 43758.
- STEEL: DEFORMED 1/2" REINFORCED BAR GRADE 60-60 KSI A.S.T.M. A615.
- DESIGN LOADING: VERTICAL LOAD: 800 LB. MIN.
PULLOUT: 1500 LB. MIN.
IMPACT: 300 FT./LBS. MIN.

MEETS OR EXCEEDS THE FOLLING

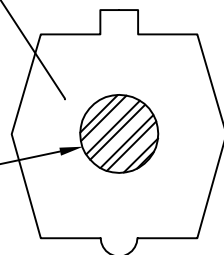
- A.S.T.M. C478-85a
- C497-85
- O.S.H.A. DEC.,84
- APRIL.,86
- N.Y.S.D.O.T. APPROVED
- N.Y.S.O.G.S. APPROVED

SUPPLIED BY:

M.A. INDUSTRIES INC.
KELLY & DIVIDEND DR.
PEACHTREE CITY, GA.

COPOLYMER POLYPROPYLENE

1/2" GRADE 60
STEEL REINFORCEMENT



SECTION A-A

