



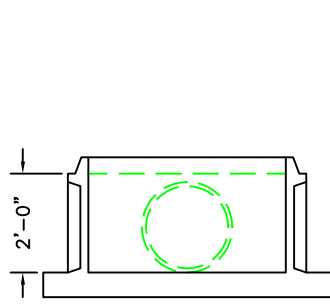
KISTNER CONCRETE PRODUCTS INC.
8713 READ ROAD
E. PEMBROKE, N.Y.
14056
(716) 894-2267

PRODUCT DESIGNATION

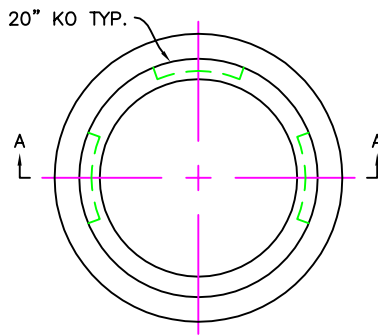
MANHOLE STOCK
4'-0" MANHOLE BASES

DWG. NO.

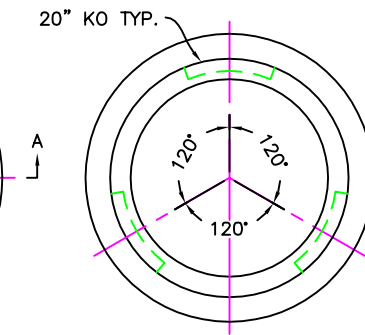
MH-MHS4MHB ©
11-14-96



SECTION A-A



3 WAY @ 90°

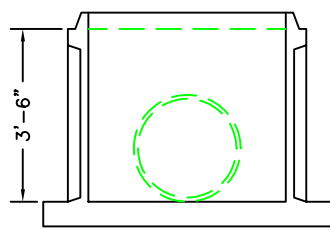


PLAN 3 WAY @ 120°

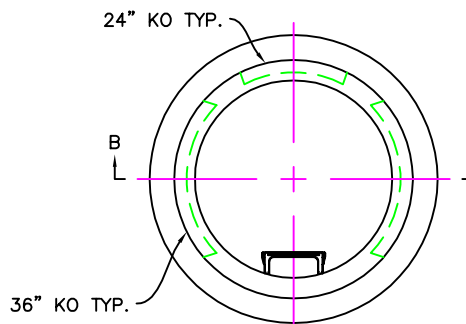
NOTES:

SPEC: A.S.T.M. C478-80
ALL KNOCKOUT PANELS ARE 2" THICK.

4'-0" DIA. KNOCKOUT BASE



SECTION B-B

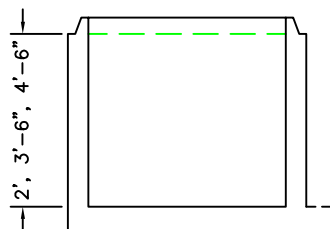


PLAN

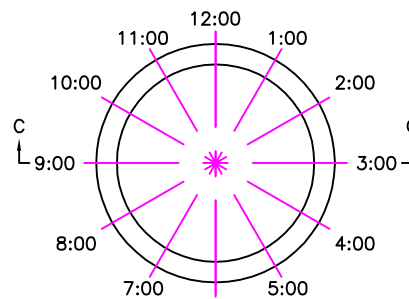
NOTES:

SPEC: A.S.T.M. C478-80
ALL KNOCKOUT PANELS ARE 2" THICK.
STEPS 12" O.C. WHERE INDICATED.

4'-0" DIA. KNOCKOUT BASE



SECTION C-C



PLAN

STANDARD BASE

OPTIONAL FLANGED BASE SLAB

4'-0" DIA. CORED HOLE BASE
HOLE SIZES AVAILABLE: 8", 11", 12", 16", 20" DIA.