



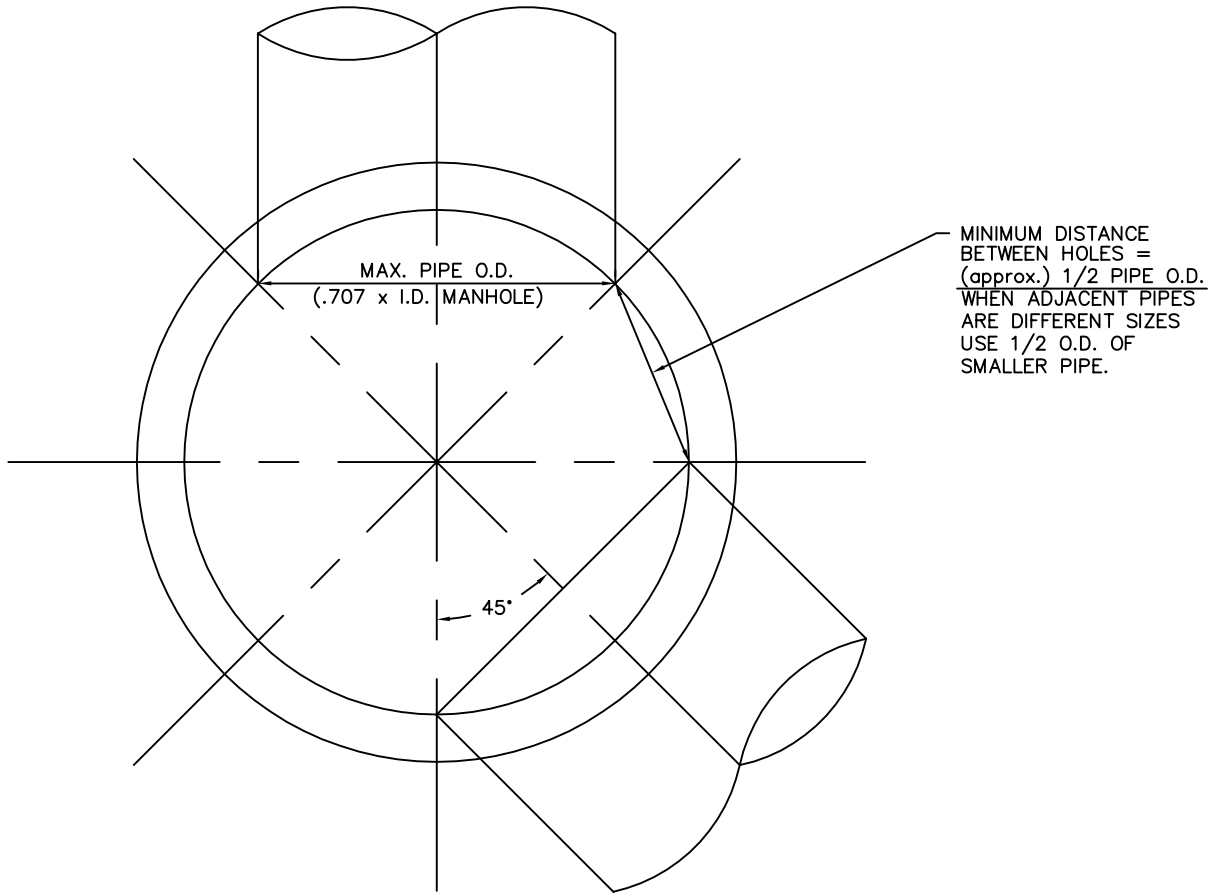
KISTNER CONCRETE PRODUCTS INC.
 8713 READ ROAD
 E. PEMBROKE, N.Y.
 14056
 (716) 894-2267

PRODUCT DESIGNATION

DWG. NO.

MANHOLE PIPE SIZING AND DEFLECTION GUIDE

MH-PSDG



PLAN VIEW OF MANHOLE

	4 FOOT MANHOLE 5" WALL	5 FOOT MANHOLE 6" WALL	6 FOOT MANHOLE 7" WALL	8 FOOT MANHOLE 9" WALL	10 FOOT MANHOLE 11" WALL
MAX. PIPE O.D. STRAIGHT THRU TO 45° DEFLECTION	30" O.D. 24" R.C. PIPE	44" O.D. 36" R.C. PIPE	51" O.D. 42" R.C. PIPE	72" O.D. 60" R.C. PIPE	86" O.D. 72" R.C. PIPE
MAX. PIPE O.D. 90° DEFLECTION	23" O.D. 18" R.C. PIPE	33.5" O.D. 27" R.C. PIPE	37" O.D. 30" R.C. PIPE	51" O.D. 42" R.C. PIPE	72" O.D. 60" R.C. PIPE