



KISTNER CONCRETE PRODUCTS INC.  
8713 READ ROAD  
E. PEMBROKE, N.Y.  
14056  
(716) 894-2267

**PRODUCT DESIGNATION**  
**MANHOLE 5' DIA. STORM MANHOLE**  
**WITH TALL FLAT TOP OPTION**

**DWG. NO.**  
**MH5STWTF** ©  
5/23/12

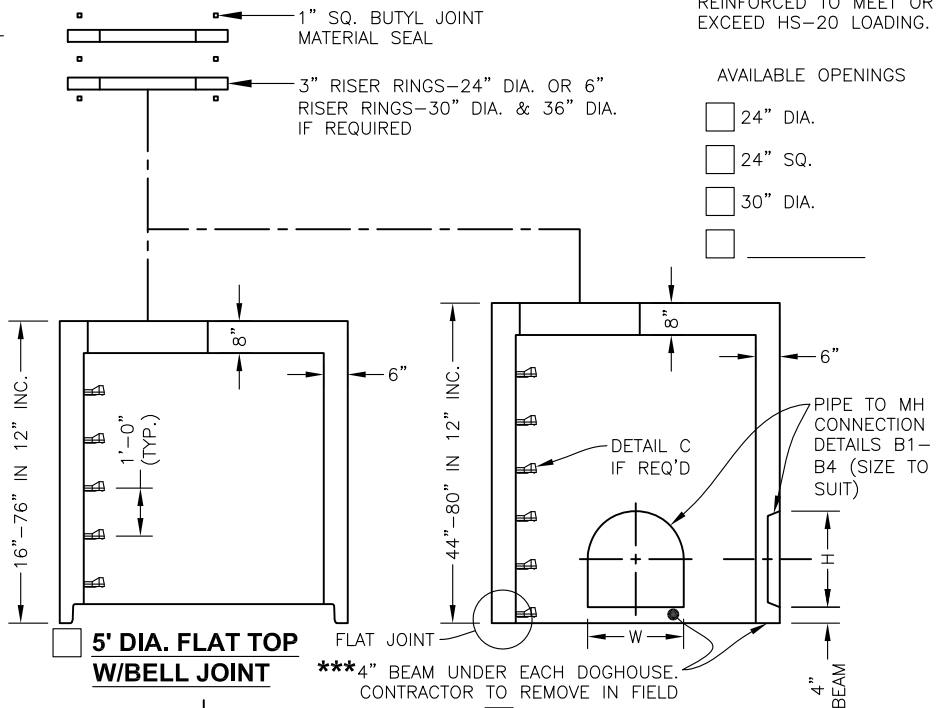
**GENERAL NOTES:**

1. REINFORCED STEEL CONFORMS TO ASTM A185 SPEC. 0.15 in<sup>2</sup>/LF AND 0.15 in<sup>2</sup>/LF B/W IN BOT. SLAB.
2. CONCRETE COMPRESSIVE STRENGTH 4,000 PSI. MINIMUM.
3. MANHOLE DESIGN SPECIFICATIONS CONFORM TO LATEST ASTM C478 SPEC. FOR PRECAST REINFORCED CONCRETE MANHOLE SECTIONS.
4. DOGHOUSE:  
H = \_\_\_\_\_  
W = \_\_\_\_\_

FLAT TOP SLAB IS STEEL REINFORCED TO MEET OR EXCEED HS-20 LOADING.

AVAILABLE OPENINGS

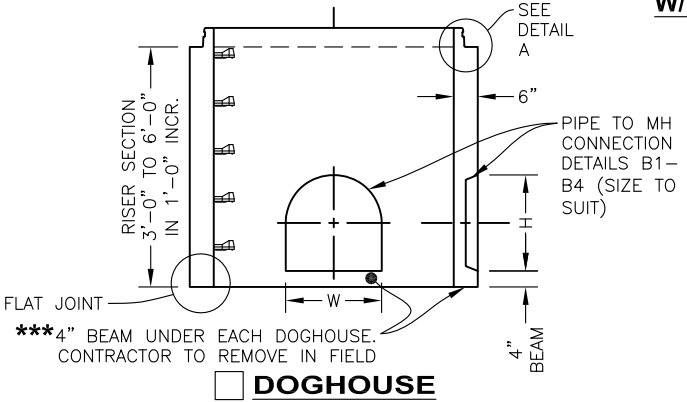
- 24" DIA.
- 24" SQ.
- 30" DIA.
- \_\_\_\_\_



**BITUMASTIC COATINGS**  
(IF REQ'D) 2 COATS PER FACE

- INSIDE
- OUTSIDE
- NONE

OPTIONAL BUTYL SEALANT IN ADDITION TO O-RING. MFG. RECOMMENDATION ONLY.



- OPTIONAL BASE SLAB 8" THK.**
  - STANDARD BASE
  - \*\* OPTIONAL FLANGE - 6" WIDE (CHECK AVAILABILITY)

NOTE: STEEL REINFORCED COPOLYMER POLYPROPYLENE PLASTIC STEP CONFORMS TO LATEST ASTM C478 SPEC.

O-RING SECTION JOINT CONFORMS TO LATEST ASTM C443 SPEC.

|   |   |                                       |                                  |                                       |  |
|---|---|---------------------------------------|----------------------------------|---------------------------------------|--|
| <p>A</p> <p>5' DIA. RUBBER O-RING &amp; BUTYL JOINT</p> | <p>B1</p> <p>HOLE - G.C. TO GROUT</p> <p>B2</p> <p>HOLE FOR LINK SEAL</p> | <p>B3</p> <p>DOGHOUSE PIPE TO FIT</p> | <p>B4</p> <p>WATERTIGHT BOOT</p> | <p>B5</p> <p>KNOCKOUT PIPE TO FIT</p> | <p>C</p> <p>PS2-PFS POLYPROPYLENE STEP</p> |
|---|---|---------------------------------------|----------------------------------|---------------------------------------|--|

O:\Drawings\New Stuff after 2-26-10\MANHOLES\5' DIA. MANHOLES\Types\Storm\MH5STWTF.dwg