



KISTNER CONCRETE PRODUCTS INC.
8713 READ ROAD
E. PEMBROKE, N.Y.
14056
(716) 894-2267

PRODUCT DESIGNATION

MANHOLE 10' DIA. DOG HOUSE

DWG. NO.

MH10DH ©
5/23/12

GENERAL NOTES:

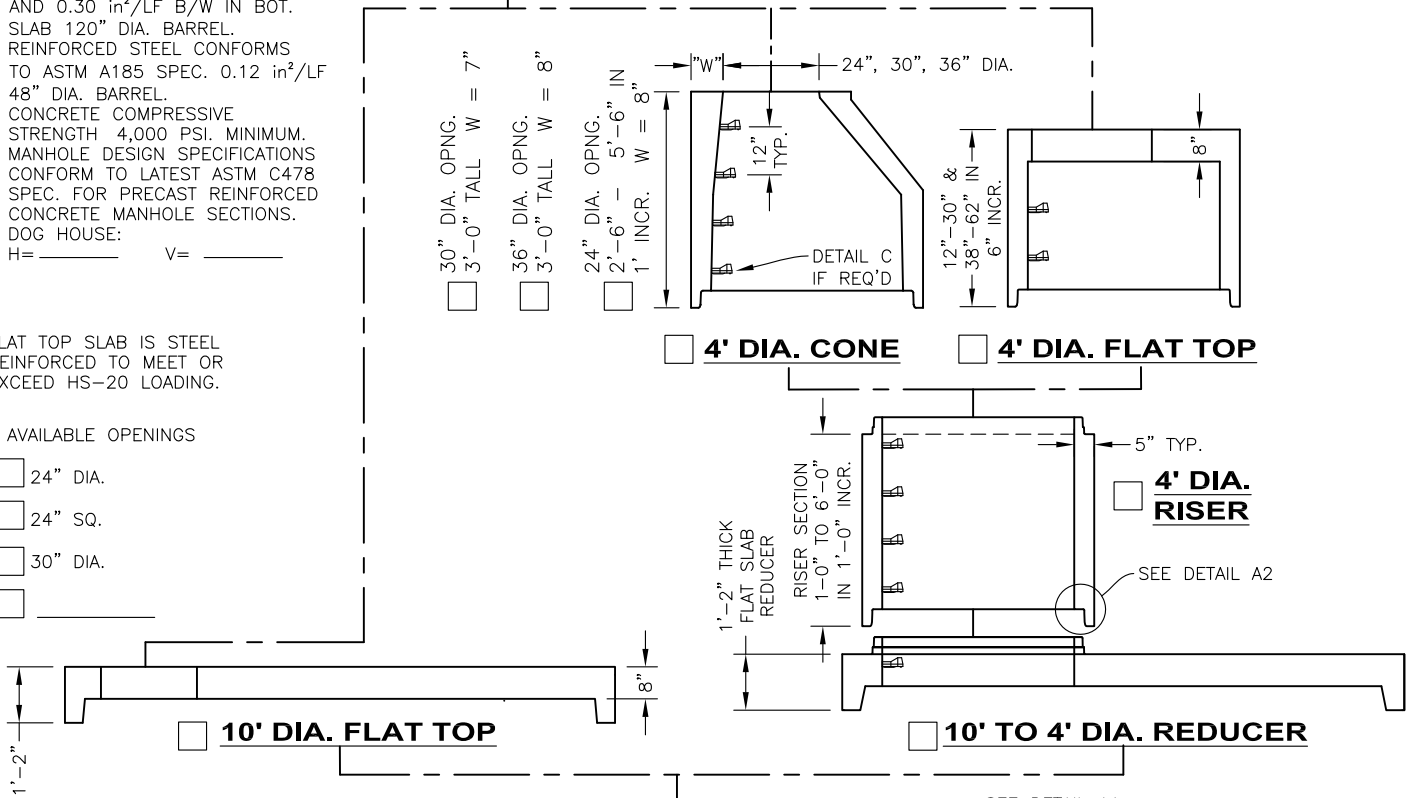
1. REINFORCED STEEL CONFORMS TO ASTM A185 SPEC. 0.30 in²/LF AND 0.30 in²/LF B/W IN BOT. SLAB 120" DIA. BARREL.
2. REINFORCED STEEL CONFORMS TO ASTM A185 SPEC. 0.12 in²/LF 48" DIA. BARREL.
3. CONCRETE COMPRESSIVE STRENGTH 4,000 PSI. MINIMUM. MANHOLE DESIGN SPECIFICATIONS CONFORM TO LATEST ASTM C478 SPEC. FOR PRECAST REINFORCED CONCRETE MANHOLE SECTIONS.
- DOG HOUSE:
H = _____ V = _____

FLAT TOP SLAB IS STEEL REINFORCED TO MEET OR EXCEED HS-20 LOADING.

AVAILABLE OPENINGS

- 24" DIA.
- 24" SQ.
- 30" DIA.
- _____

- 1" SQ. BUTYL JOINT MATERIAL SEAL
- 3" RISER RINGS-24" DIA. OR 6" RISER RINGS-30" DIA. & 36" DIA. IF REQUIRED

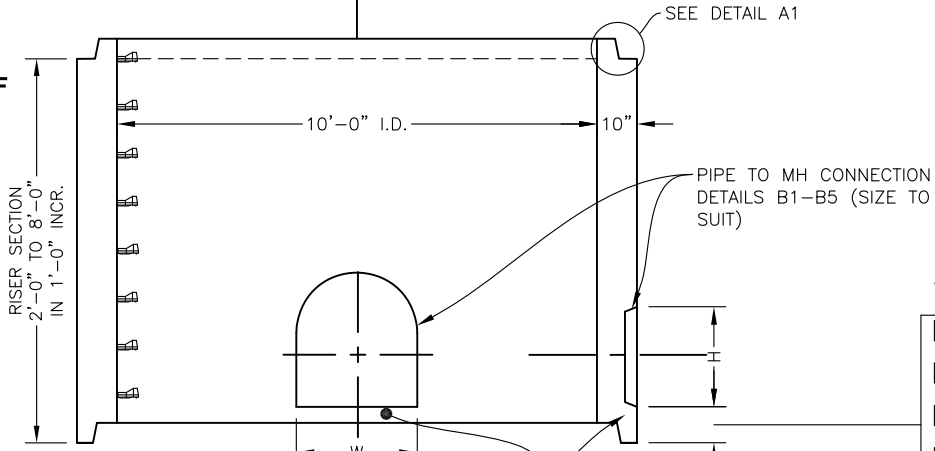


DIMENSION FROM INVERT TO START OF CONE _____

BITUMASTIC COATINGS

(IF REQ'D) 2 COATS PER FACE

- INSIDE
- OUTSIDE
- NONE
- OPTIONAL BUTYL SEALANT IN ADDITION TO O-RING. MFG. RECOMMENDATION ONLY. (10' JOINT ONLY)



- VARIABLE SUMP**
- 6" SUMP
 - 12" SUMP
 - 24" SUMP
 - _____ SUMP

O-RING SECTION JOINT CONFORMS TO LATEST ASTM C443 SPEC. AND BUTYL CONFORMS TO FEDERAL SPEC. SS-S-210A.

STANDARD BASE

***4" BEAM UNDER EACH DOGHOUSE. CONTRACTOR TO REMOVE IN FIELD

BASE SECTION TO BE SET PER JOB SPECIFICATIONS

OPTIONAL 6" FLANGE
SEE NOTE 1

NOTE: STEEL REINFORCED COPOLYMER POLYPROPYLENE PLASTIC STEP CONFORMS TO LATEST ASTM C478 SPEC.

