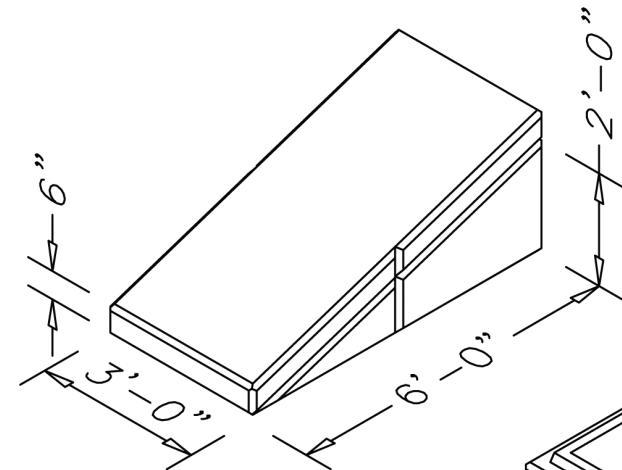


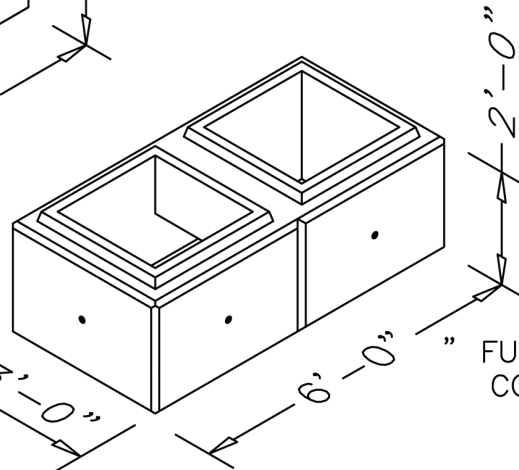
KAST-BLOCK PIECE STANDARDS

SPECIFICATIONS:

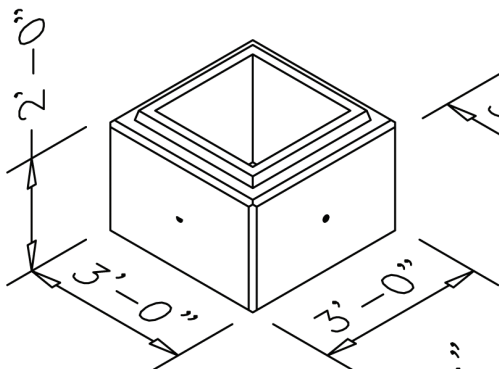
CONCRETE: 4,000 P.S.I. @ 28 DAYS.
 ENTRAINED AIR: 5% - 9%.
 STEEL: A.S.T.M. A496-A615
 GRADE 60-60 KSI.
 DESIGN LOADING: A.A.S.H.T.O. HS-20-44
 WITH 30% IMPACT AND
 EQUIVALENT SOIL PRESSURE
 OF 30 (PCF).



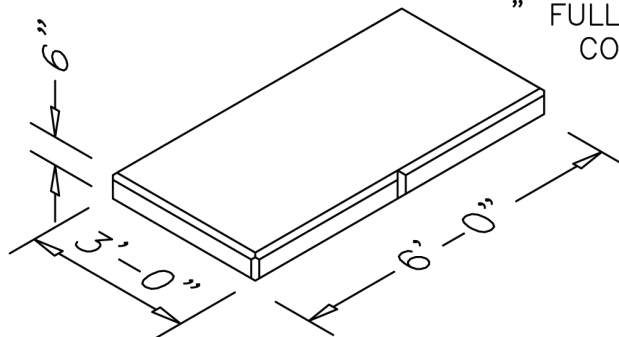
" SLOPED - KAST-BLOCK
 CODE: RW-KB-632SB
 WT: 2148 LBS.



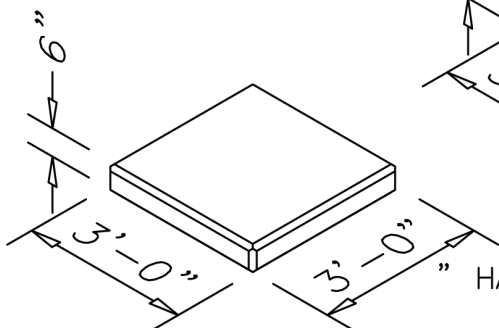
" FULL - KAST-BLOCK
 CODE: RW-KB-632
 WT: 2550 LBS.



" HALF - KAST-BLOCK
 CODE: RW-KB-632HB
 WT: 1275 LBS.



" FULL CAP - KAST-BLOCK
 CODE: RW-KB-632FC
 WT: 1035 LBS.



" HALF CAP - KAST-BLOCK
 CODE: RW-KB-632HC
 WT: 518 LBS.

- BA = BRIDGE ABUTMENT
- CF = CLOSED FACE
- RW = RETAINING WALL
- RANGE 4'-20'