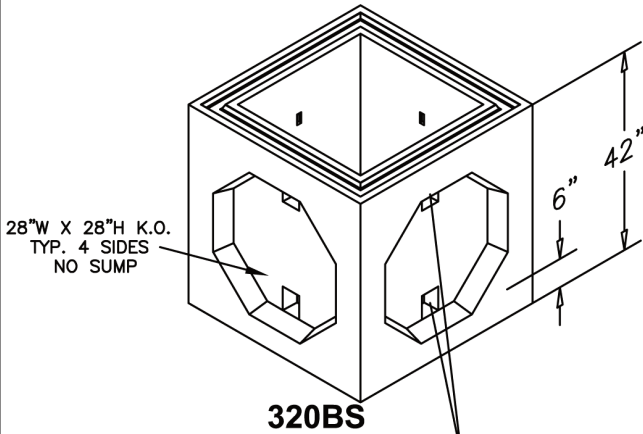


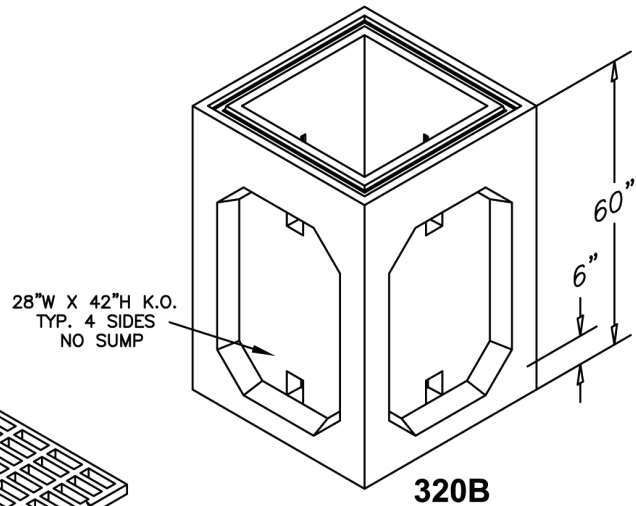


# 30" SQ. CATCH BASINS

**NOTE: ALL KNOCKOUTS (K.O.) HAVE  
2" - 2 1/2" CONCRETE THICKNESS**

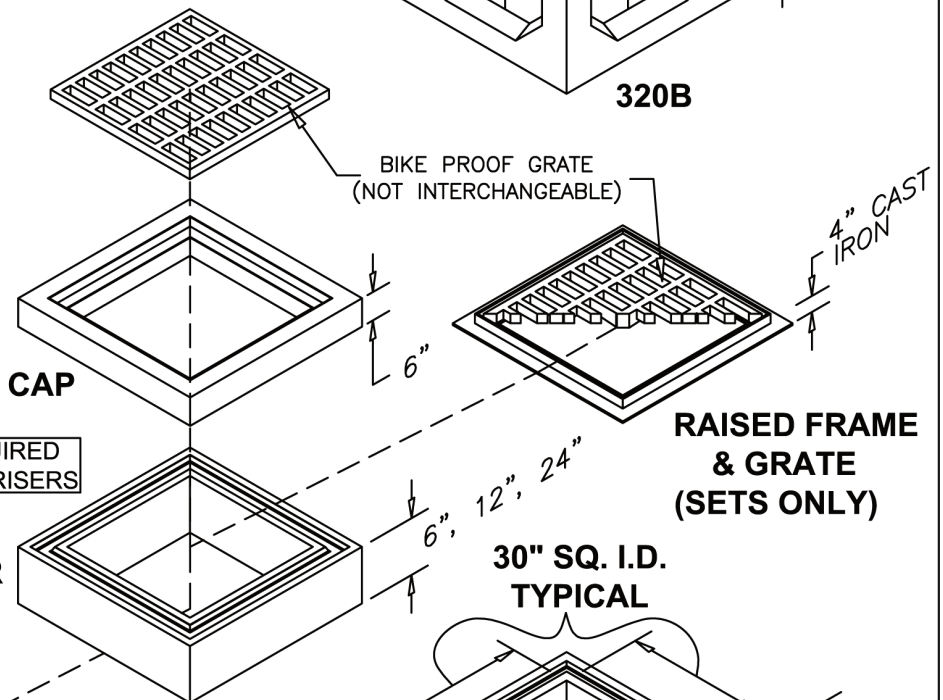


**2 WEEP HOLES IN EACH  
KNOCKOUT (TYPICAL)**



## BENEFITS OF KEY JOINT

- A. SHEAR
- B. POSITIVE ALIGNMENT
- C. SAVE TIME AND MONEY



MORTAR REQUIRED  
ON CAPS & 6" RISERS

