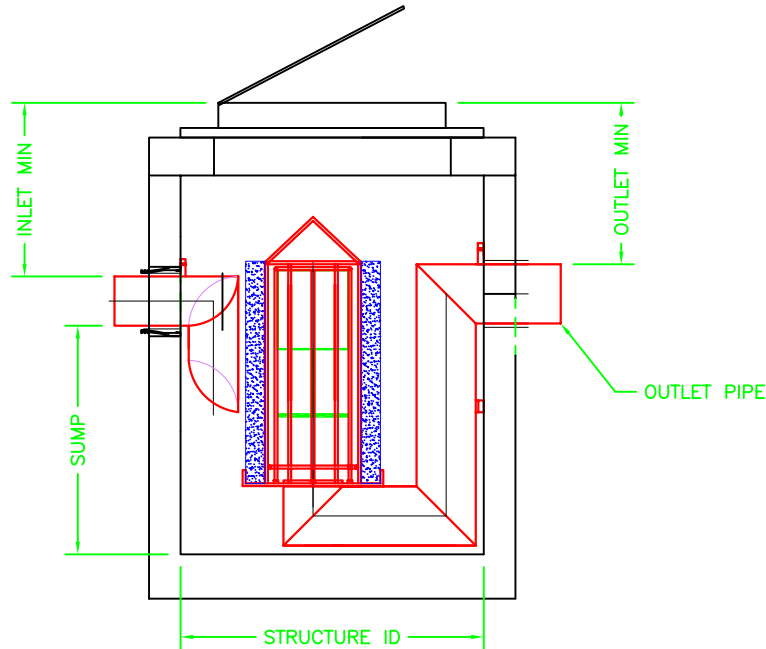


# ESK Koala Oil/Water Separator



ESK Model	Max. Flow (gpm)	Structure ID (in)	Sump Depth(in)	Inlet Min Cover Depth(in)	Outlet Min Cover Depth(in)	Outlet Pipe OD Dia(in)	Total Volume(gal)	Oil Storage Volume(Gal)
1.5	24	48	32	19	20	6	251	72
3	48	48	32	19	20	6	251	72
6	95	48	32	19	20	6	251	72
10	159	48	32	19	20	6	251	72
15	238	48	38	24	25	8	298	133
20	317	48	38	24	25	8	298	133
30	476	60	48	26	27	12	588	269
40	634	60	48	26	27	12	588	269
50	793	72	68	25	26	12	1199	426
65	1030	72	68	25	26	12	1199	426
80	1268	72	68	25	26	12	1199	426
100	1585	96	68	25	26	12	2131	758
110	1744	96	78	36	37	16	2444	988
120	1902	96	78	36	37	16	2444	988
130	2061	96	78	36	37	16	2444	988
140	2219	96	78	36	37	16	2444	988
150	2378	96	78	36	37	16	2444	988
160	2536	96	78	36	37	16	2444	988
170	2695	96	78	36	37	16	2444	988
180	2853	96	78	36	37	16	2444	988
190	3012	96	78	36	37	16	2444	988
200	3170	96	78	36	37	16	2444	988
225	3566	120	88	37	38	20	4308	2144
250	3963	120	88	37	38	20	4308	2144
275	4359	120	88	37	38	20	4308	2144
300	4755	120	88	37	38	20	4308	2144



**CALL: 1-800-809-2801**

C:\ENR\21 Stormwater Treatment\ENR21-PBQDU\ESK\Coalescing Oil Separator\ESK\Marketing\V2B1-ESK-Std-Drawing.dwg