



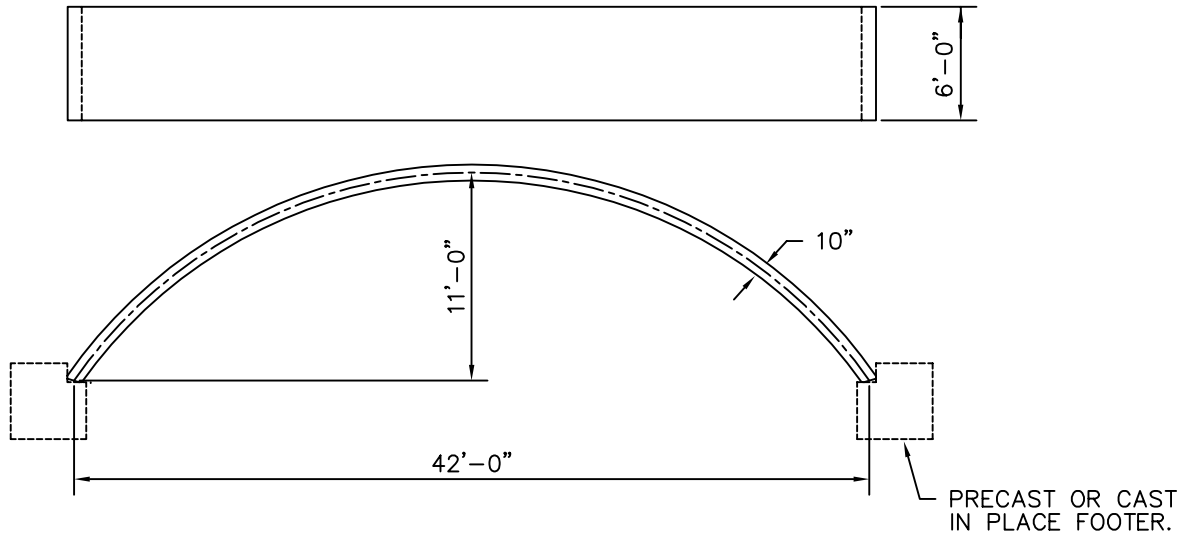
KISTNER CONCRETE PRODUCTS INC.
 8713 READ ROAD
 E. PEMBROKE, N.Y.
 14056
 (716) 894-2267

PRODUCT DESIGNATION

DWG. NO.

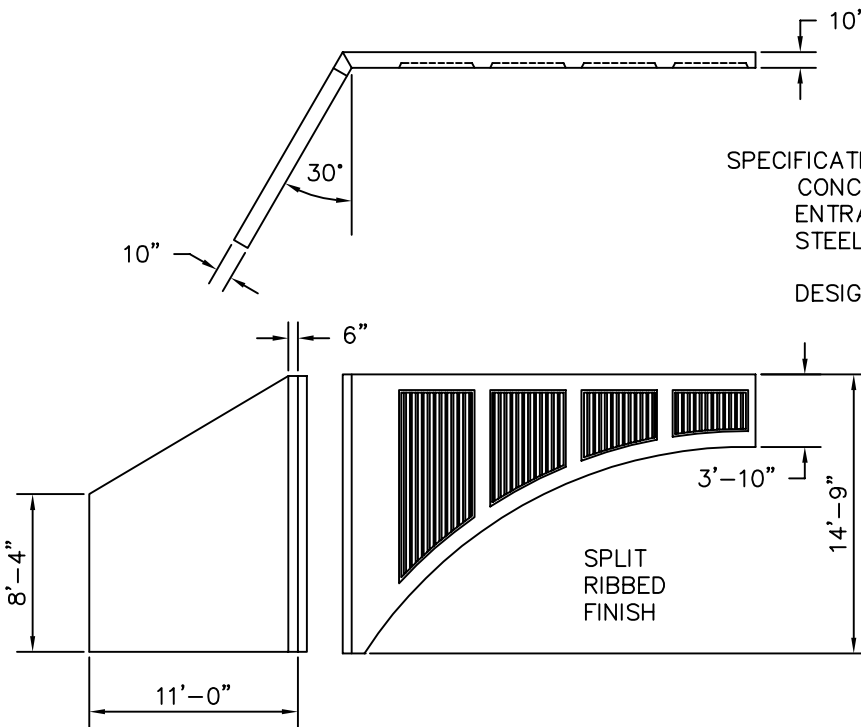
ARCH BRIDGE 42'-0" SPAN

AB-42



ARCHES

ARCH SPAN (ft.)	WATER DEPTH / AVERAGE WATERWAY AREA (ft.)				
42	2/76	4/146	6/206	8/256	10/291



WINGWALL

FASCIA

SPECIFICATIONS:
 CONCRETE: 5000 P.S.I. @ 28 DAYS
 ENTRAINED AIR: 5% - 9%
 STEEL: A.S.T.M. A496-A615
 GRADE 60-60 KSI.
 DESIGN LOADING: A.A.S.H.T.O. HS-20-44
 WITH 30% IMPACT AND
 EQUIVALENT SOIL PRESSURE
 OF 130 (PSI).