



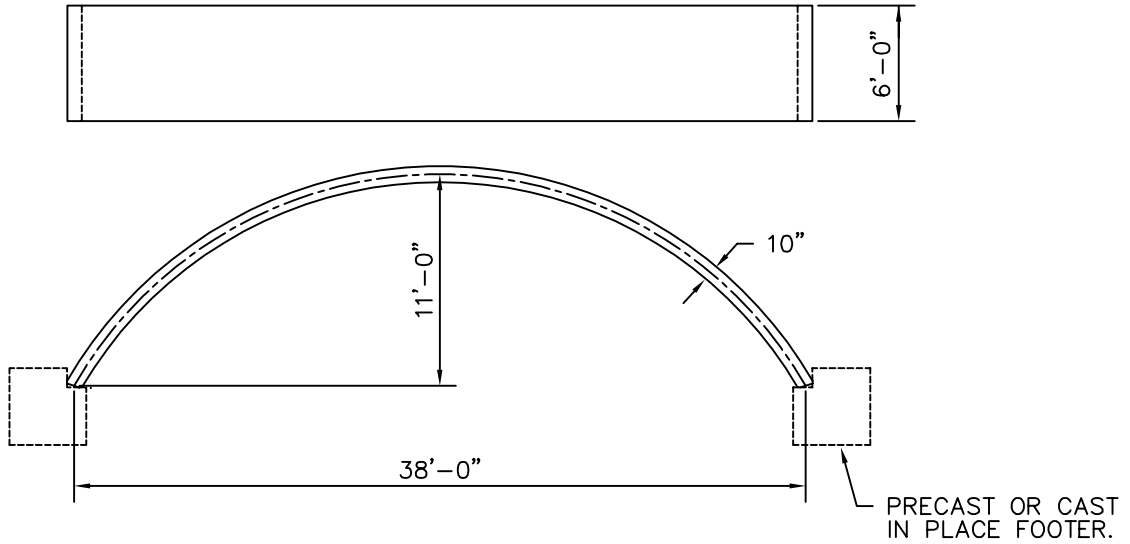
KISTNER CONCRETE PRODUCTS INC.
8713 READ ROAD
E. PEMBROKE, N.Y. 14056
(716) 894-2267

PRODUCT DESIGNATION

DWG. NO.

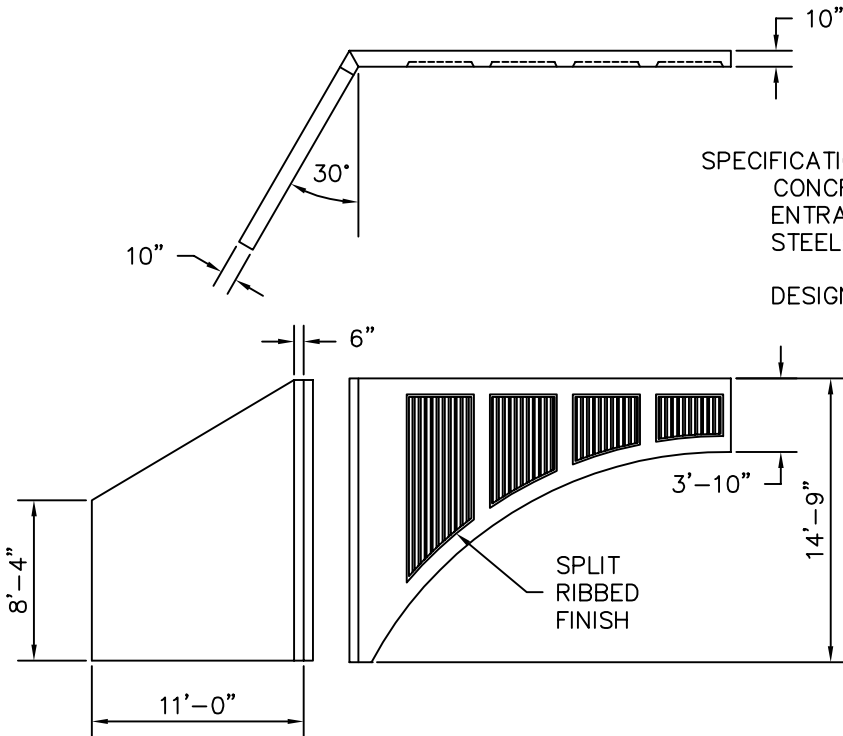
ARCH BRIDGE 38'-0" SPAN

AB-38



ARCHES

ARCH SPAN (ft.)	WATER DEPTH / AVERAGE WATERWAY AREA (ft.)				
38	2/69	4/131	6/186	8/230	10/262



SPECIFICATIONS:

CONCRETE: 5000 P.S.I. @ 28 DAYS
ENTRAINED AIR: 5% - 9%

STEEL: A.S.T.M. A496-A615
GRADE 60-60 KSI.

DESIGN LOADING: A.A.S.H.T.O. HS-20-44
WITH 30% IMPACT AND
EQUIVALENT SOIL PRESSURE
OF 130 (PSI).

WINGWALL

FASCIA